

LENA VARIO LED IP44

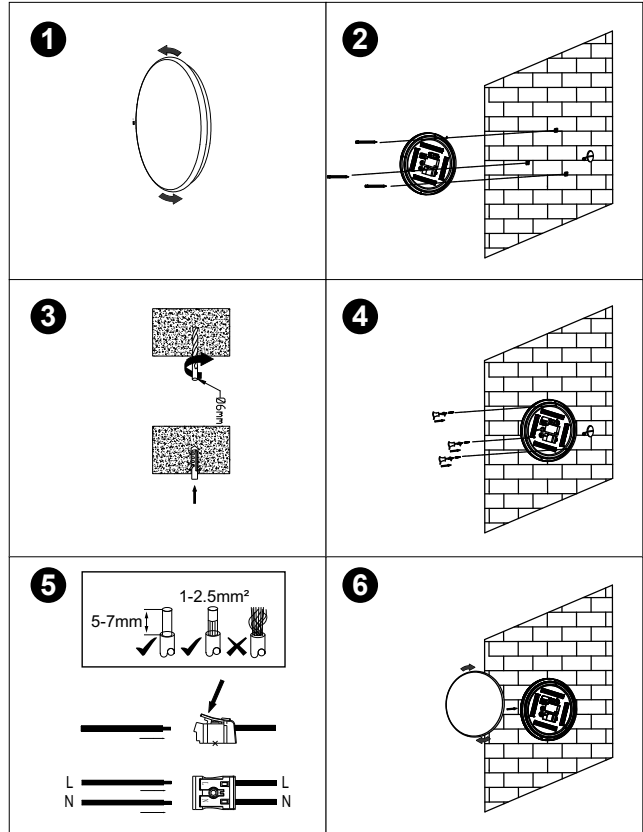
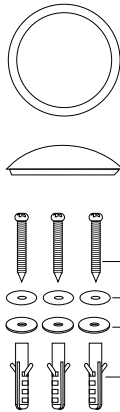
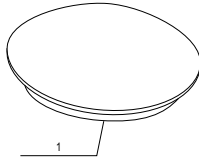


- | | |
|-------------------------------------|---------------------------------------|
| EN Installation Instructions | IT Istruzioni di montaggio |
| DE Montageanleitung | LT Montavimo instrukcijos |
| CZ Montážní návod | LV Instalācijas instrukcija |
| DK Monteringsvejledning | NO Monteringsanvisning |
| EE Paigaldusjuhend | PL Instrukcja montażu |
| FI Asennusohje | SE Installationsanvisning |
| FR Notice de montage | RU Инструкция по монтажу |
| HU Szerelési útmutató | SRB Instrukcija za instalaciju |
| HR Uputstvo za montažu | SK Montážny návod |
| NL Montagehandleiding | SLO Navodilo za montažo |
| RO Instrucțiuni de montaj | CN 安装说明书 |

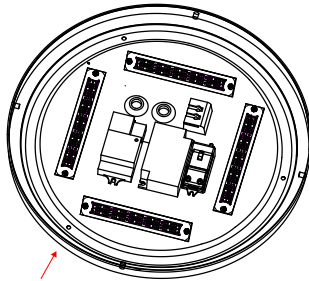
- ⚠ 1. Installation and commissioning may only be carried out by authorized specialists and wired in accordance with the latest IEE electrical regulations or the national standards.
 - ⚠ 2. Mains power must be switched off before carrying out installation.
 - ⚠ 3. The manufacturer shall not be liable for any damage resulting from inappropriate modifications to the luminaire or faulty installation.
 - ⚠ 4. The light source contained in this luminaire shall only be replaced by the manufacturer or his service agent or a similar qualified person.
 - ⚠ 5. Light source can't be replaced.
- The control gear provides basic insulation between the LV supply and the control circuit

| SAP code | Product Description | photobiological risk group | EAN | Wattage | diameter*height |
|----------|--------------------------------------|----------------------------|---------------|---------|-----------------|
| 96631862 | LENA VARIO LED 320 1400 830/3540 | RG0 | 9010299044814 | 15W | 350*108 |
| 96631863 | LENA VARIO LED 320 1400 830/3540 MWS | RG0 | 9010299044821 | 15W | 350*108 |
| 96631864 | LENA VARIO LED 380 1900 830/3540 | RG0 | 9010299044838 | 21W | 410*115 |
| 96631865 | LENA VARIO LED 380 1900 830/3540 MWS | RG0 | 9010299044845 | 21W | 410*115 |
| 96631866 | LENA VARIO LED 380 2500 830/3540 | RG0 | 9010299044852 | 30W | 410*115 |
| 96631867 | LENA VARIO LED 380 2500 830/3540 MWS | RG0 | 9010299044869 | 30W | 410*115 |

| | |
|---|----|
| 1 | x1 |
| 2 | x3 |
| 3 | x3 |
| 4 | x3 |
| 5 | x3 |



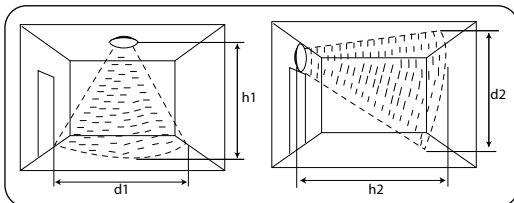
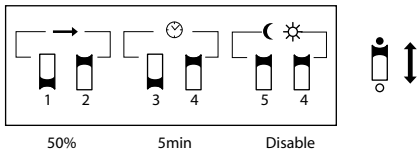
MWS



- 1.Sensibility/Sensitivity 2.Durée/Hold-time 3.Luminosity/Daylight sensor

| <p>I - 100% II - 75% III - 50% IV - 10%</p> <table border="1"> <tr><th></th><th>1</th><th>2</th></tr> <tr><td>I</td><td>●</td><td>●</td></tr> <tr><td>II</td><td>●</td><td>○</td></tr> <tr><td>III</td><td>○</td><td>○</td></tr> <tr><td>IV</td><td>○</td><td>○</td></tr> </table> | | 1 | 2 | I | ● | ● | II | ● | ○ | III | ○ | ○ | IV | ○ | ○ | <p>I - 5s II - 90s III - 5min IV - 15min</p> <table border="1"> <tr><th></th><th>3</th><th>4</th></tr> <tr><td>I</td><td>●</td><td>●</td></tr> <tr><td>II</td><td>●</td><td>○</td></tr> <tr><td>III</td><td>○</td><td>○</td></tr> <tr><td>IV</td><td>○</td><td>○</td></tr> </table> | | 3 | 4 | I | ● | ● | II | ● | ○ | III | ○ | ○ | IV | ○ | ○ | <p>I - Disable II - 50Lux III - 10Lux IV - 2Lux</p> <table border="1"> <tr><th></th><th>5</th><th>6</th></tr> <tr><td>I</td><td>●</td><td>○</td></tr> <tr><td>II</td><td>○</td><td>○</td></tr> <tr><td>III</td><td>○</td><td>○</td></tr> <tr><td>IV</td><td>○</td><td>○</td></tr> </table> | | 5 | 6 | I | ● | ○ | II | ○ | ○ | III | ○ | ○ | IV | ○ | ○ |
|---|---|---|---|---|---|---|----|---|---|-----|---|---|----|---|---|--|--|---|---|---|---|---|----|---|---|-----|---|---|----|---|---|---|--|---|---|---|---|---|----|---|---|-----|---|---|----|---|---|
| | 1 | 2 | | | | | | | | | | | | | | | | | | | | | | | | | | | | | | | | | | | | | | | | | | | | | |
| I | ● | ● | | | | | | | | | | | | | | | | | | | | | | | | | | | | | | | | | | | | | | | | | | | | | |
| II | ● | ○ | | | | | | | | | | | | | | | | | | | | | | | | | | | | | | | | | | | | | | | | | | | | | |
| III | ○ | ○ | | | | | | | | | | | | | | | | | | | | | | | | | | | | | | | | | | | | | | | | | | | | | |
| IV | ○ | ○ | | | | | | | | | | | | | | | | | | | | | | | | | | | | | | | | | | | | | | | | | | | | | |
| | 3 | 4 | | | | | | | | | | | | | | | | | | | | | | | | | | | | | | | | | | | | | | | | | | | | | |
| I | ● | ● | | | | | | | | | | | | | | | | | | | | | | | | | | | | | | | | | | | | | | | | | | | | | |
| II | ● | ○ | | | | | | | | | | | | | | | | | | | | | | | | | | | | | | | | | | | | | | | | | | | | | |
| III | ○ | ○ | | | | | | | | | | | | | | | | | | | | | | | | | | | | | | | | | | | | | | | | | | | | | |
| IV | ○ | ○ | | | | | | | | | | | | | | | | | | | | | | | | | | | | | | | | | | | | | | | | | | | | | |
| | 5 | 6 | | | | | | | | | | | | | | | | | | | | | | | | | | | | | | | | | | | | | | | | | | | | | |
| I | ● | ○ | | | | | | | | | | | | | | | | | | | | | | | | | | | | | | | | | | | | | | | | | | | | | |
| II | ○ | ○ | | | | | | | | | | | | | | | | | | | | | | | | | | | | | | | | | | | | | | | | | | | | | |
| III | ○ | ○ | | | | | | | | | | | | | | | | | | | | | | | | | | | | | | | | | | | | | | | | | | | | | |
| IV | ○ | ○ | | | | | | | | | | | | | | | | | | | | | | | | | | | | | | | | | | | | | | | | | | | | | |

Default/Défaut



| | h1 | d1 | h2 | d2 |
|------|------|-----|----|----|
| 100% | 6m | 10m | 6m | 6m |
| 75% | 4.5m | 8m | 4m | 5m |
| 50% | 3m | 6m | 2m | 3m |
| 10% | 1m | 2m | 1m | 1m |

