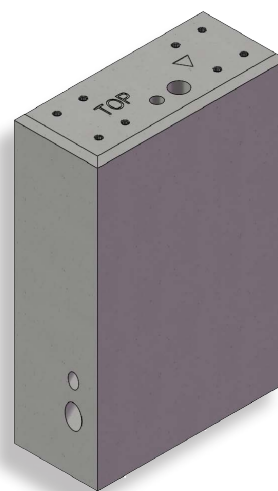


FOUNDATION EMH9999

FOR MOUNTING POLES POLEMH1, POLEMH2, POLEMH3 AND POLEM 4 Twin

For ground installation of the mounting poles POLEMH1, POLEMH2, POLEMH3 and POLEM4 Twin, ABL offers the precast foundation block EMH9999, which provides the necessary stability and security for the mounting pole, and contains two integrated tubes to protect the power supply and data cables. The foundation block is made from grade C30/37 concrete and complies with exposure classes XC4 and XF1. The mounting screws M12 V2A (4 pcs.) are included in the scope of delivery.



General information

Model	Prefabricated foundation
Product number	EMH9999
EAN	4011721174679
Commodity code	68109100
Packaging unit (PU)	1 unit
Items supplied	Concrete foundation, installation kit

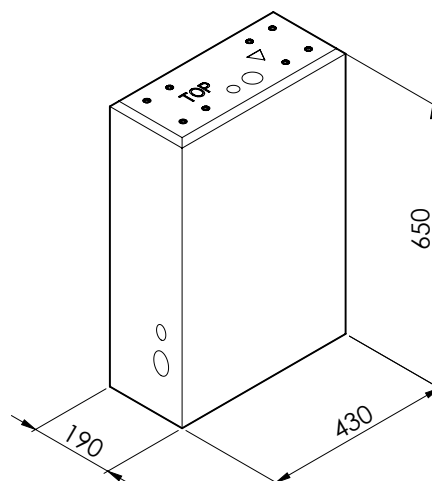
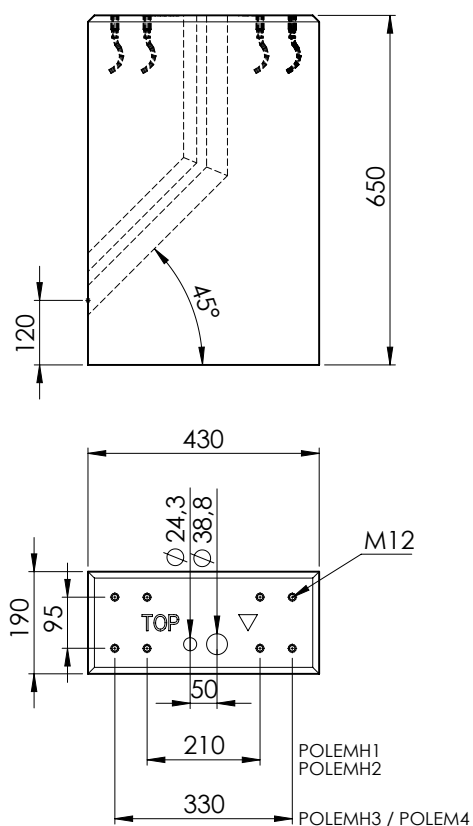
Product information

Fixing type	Anchorage to the ground
Material	Reinforced concrete
Grade	C30/37
Exposure class	XC4 and XF1
Product dimensions (HxWxD)	650 × 430 × 190 mm
Packaging dimensions	Pallet shipping without packaging
Weight per unit	Approx. 130 kg

Optional accessories

Mounting pole for eMH1	POLEMH1 / STEMH10
Mounting pole for eMH2	POLEMH2 / STEMH20
Mounting pole for eMH3	POLEMH3 / STEMH30
Mounting pole for eM4 Twin	POLEM4 Twin / 100000192

Dimensioned drawing



Subject to change: All performance characteristics, technical and other specifications are subject to change without prior notice.