

## Panel mounting appliance inlet - flange 75x75, with closure cap

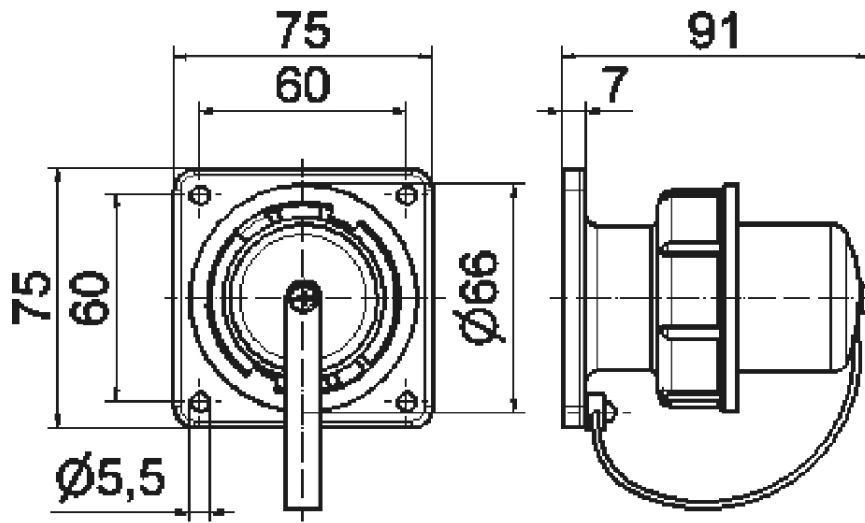


Product description	
BALS-Prd.-Nr	755
EAN	4024941007559
product category (PG)	Domestic-type panel mounting appliance inlet, straight
current (A)	16A
number of poles (P99)	3p
number of poles (P)	2P+PE
voltage (V)	250V
frequency (HZ)	alternating current (AC)

<b>Product description</b>	
protection degree (SA)	IP67
colour code 1 (KF1)	gray RAL 7035
Colour of appliance	Enclosure grey RAL 7035
connection design (AT)	with screw terminal
maximum conductor size (LQ)	4,0 qmm
cable entry (KE)	other
Height	75mm
Width	75mm
Depth	91mm
Flange size vertical	75mm
Flange size horizontal	75mm
Drill hole distance vertical	60mm
Drill hole distance horizontal	60mm
material of enclosure (GM)	Polyamide
contact	The contact carrier is made of high temperature resistant material, the contacts are brass nickel plated

<b>Additional technical properties</b>	
	also suitable for Belgian/French standard
	With hammer symbol
	With closure cap

Logistics data	
Weight/pcs	0.026 kg / Piece
Packaging	Bag
Content amount	1 ST
EAN	4024941007559
Length	91 mm
Width	75 mm
Height	75 mm
Weight	0.027 kg
Volume	511.875 ccm
Packaging	Carton
Content amount	10 ST
EAN	4024941835800
Length	245 mm
Width	177 mm
Height	185 mm
Weight	0.393 kg
Volume	7,140 ccm



18 MB 16