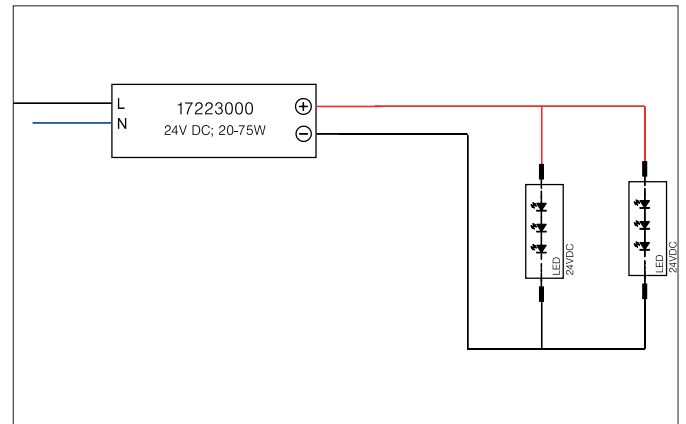


LED power supply 24 V DC, on/off switchable

Article no. 17223000

Light.
For Generations.



Tender

LED power supply 24 V DC, on/off. This power supply unit is equipped with safety devices which protect it against overvoltage, short-circuit as well as thermal and electric overloads. The input and output terminals are suitable for cables with a cross-section of up to 1.0 mm². Material: Plastic, Degree of protection: according to DIN EN 60529 IP20, Protection class: (EN 61140) II, Voltage: 24V, Power: 75W, Control: on/off.

Article data	
Article no.	17223000
GTIN	4251433913047
Short description	LED power supply 24 V DC, on/off switchable
Material	Plastic
Length	185 mm
Width	60 mm
Height	31 mm
Weight	0.280 kg

Operating technology of driver	
Protection class	II
Degree of protection	IP20
Starting current	
Power min	1 W
Power	75 W
Control	on/off
Environment temperature (ta)	0°C up to 40°C
Measure point (tc)	max. +85 °C

LED power supply 24 V DC, on/off switchable

Article no. 17223000

Light.
For Generations.

Packing data	
Gross weight	0.34 kg
Length of packaging	210 mm
Packaging width	65 mm
Packaging height	35 mm
Disposal at end of life	<p>This product must not be disposed of with household waste. You are obliged, to dispose of such electrical waste separately.</p> <p>By disposing of electrical waste and other old or defective electronics separately, you support recycling or other forms of re-use. In that way you help to take care and to avoid that harmful substances get into the environment.</p>