

PVEMH10 mounting plate

WITH SELECTOR SWITCH FOR PV CONNECTION

The PVEMH10 mounting plate is a wall bracket for the eMH1 Wallbox. In conjunction with the coupling relay supplied for installation in the wallbox and the inverter of a PV system, the PVEMH10 allows to switch between charging via photovoltaic (ECO) or mains power (GRID). At the same time, the mounting plate serves as a storage holder for coiling up the charging cable. All screws and dowels required for mounting as well as a DIN rail power supply for the inverter with potential-free control output are included in the scope of delivery.



General information

Model	Bracket
Product number	PVEMH10
EAN number	4011721184029
Commodity code	85364900
Packaging unit (PU)	1 unit
Items supplied	Wall bracket with selector switch, mounting kit, drilling template, coupling relay, DIN rail power supply

Functionality

Switching function	Selector switch with two positions
Compatibility with wallbox	Wallbox eMH1, 7.2 kW, 1-phase (1W7201, 1W7208, 1W7221, 1W7248) Wallbox eMH1, 11 kW, 1-phase (1W1101, 1W1108, 1W1121) Wallbox eMH1 Basic, 22 kW, 3-phase (1W2208)
Inverter compatibility	All inverters with control output
Switch position	ECO: Enabling charging up to 11/22 kW via control output of the inverter GRID: Enabling charging up to 11/22 kW independently of the inverter

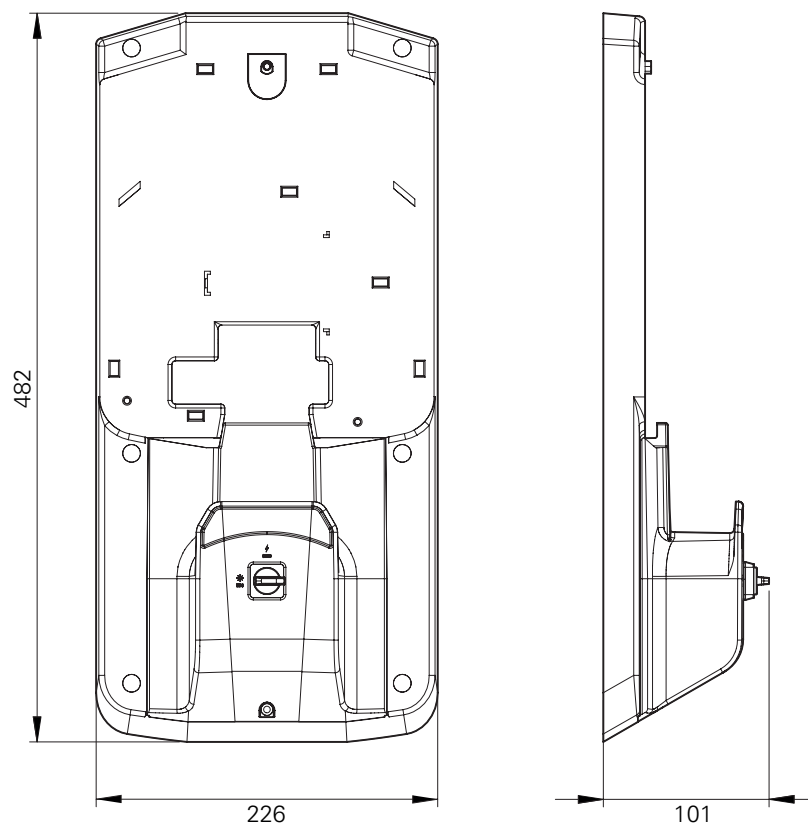
Operating conditions

Storage temperature	-30 to 85°C
Operating temperature	-30 to 50°C
Relative humidity	10 to 90%, no condensation
Degree of protection (housing)	IP44

Housing

Type	Wall bracket with integrated cable storage holder
Fixing type	Fastening to wall and POLEMH1 mounting pole using screws (included in scope of delivery)
Material	Plastic
Housing colour	black, similar to RAL9005
Housing dimensions (HxWxD)	482 x 226 x 101 mm
Packaging dimensions (HxWxD)	500 x 265 x 125 mm
Weight (net)	approx. 1 kg
Weight (gross)	approx. 1.4 kg

Dimensioned drawing



Subject to change: All performance characteristics, technical and other specifications are subject to change without prior notice.