

## Matric-F5

Recessed mounted light line, mounting brackets incl - Direct light distribution

Article code: LF5AEE-840E-L1490



Illustrations may only be similar and serve as an orientation.

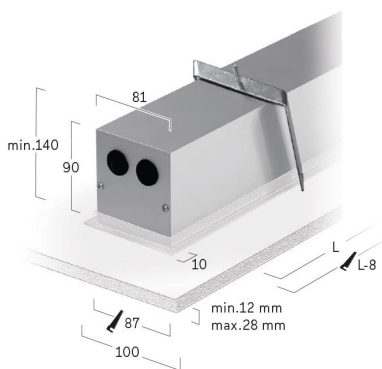
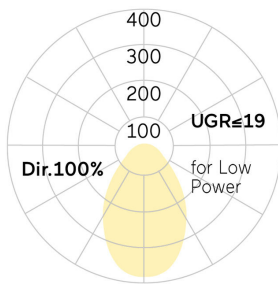
Matric-F5. LED. Recessed mounted light line with surrounding frame for installation in sawn wall and ceiling with cut-out openings. Mounting brackets included. Luminaire body made of high-quality aluminum profile. Surface finish Silver Anodised. Direct only light distribution. Colour temperature: 4000K (Cool White). Colour Rendering Index (CRI): >80. Microprismatic screen for uniform illumination and reduced luminance in office areas. UGR<=19. Switchable. LxWxH (rectangular). L=1490mm. W=

100mm. H=90mm. Low-power current. 2510lm. 23W. 4,9kg. Binning initial <= MacAdam 3. IP20. Protection class I. CE, UKCA marking. Prüfzeichen: ENEC. IK02. 220-240V. 50-60 Hz. RG0 (EN62471). Luminous flux reduction up to 0,2%/1.000 operating hours. Nominal failure rate: 0,2%/1.000 operating hours. L90B10 (tq 25°C) = 50.000h. 5 years warranty. Manufacturer: Lightnet GmbH, ISO 9001:2015 certificated

## Matric-F5

Recessed mounted light line, mounting brackets incl - Direct light distribution

Article code: LF5AEE-840E-L1490



Customer / Project: \_\_\_\_\_

Note: \_\_\_\_\_

|                              |   |
|------------------------------|---|
| Productname                  | Matric-F5   |
| Lamp                         | LED   |
| Installation Type            | Recessed mounted light line, mounting brackets incl |
| Surface finish               | Silver Anodised                                     |
| Light characteristics        | Direct light distribution                           |
| Colour temperature           | 4000K   |
| Colour Rendering Index (CRI) | CRI>80  |
| Optical system               | Microprismatic screen                               |
| Control                      | Switchable  |
| Length L/Diameter D (mm)     | L=1490mm  |
| Width W (mm)                 | W=100mm   |
| Height H (mm)                | H=90mm  |
| Current/Power                | Low-Power   |
| Luminous Flux                | 2510lm  |
| Power consumption            | 23W   |
| Degree of protection         | IP20  |
| Certification                | Prüfzeichen: ENEC                                   |
| LED lifetime                 | L90B10 (tq 25°C) = 50.000h                          |
| UGR                          | UGR<=19   |
| Photometric code             | 8 40 / 3 3 9  |
| Photobiological class        | RG0 (EN62471)                                       |
| Indoor/Outdoor               | Indoor: ta [ambient] max. 25°C                      |
| Weight (kg)                  | 4,9kg   |

