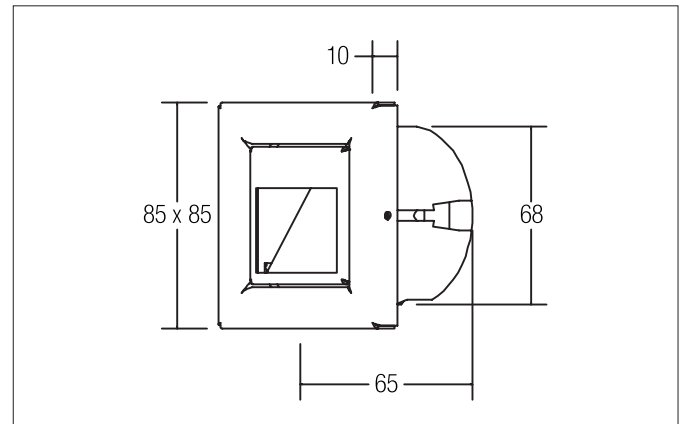


TIBELL-S LED wall recessed light
Article no. 10129208

Light.
For Generations.



Tender

LED wall recessed light, stainless steel, Square. Recessed mounting, Wall-mounted Including a converter for connection with the 230-V mains voltage, on/off switchable and cavity wall mounting box Ø DA: 68 mm / installation depth: 65 mm Mounting method: Recessed mounting, Place of installation: Wall-mounted, Material: Stainless steel / Aluminium / Plastic, Degree of protection: according to DIN EN 60529 IP20, Protection class: (EN 61140) I, Voltage: 230V AC 50Hz, Power: 1.2W, Amount of light sources / fittings: 1.0 Qty, Luminous flux: 20lm, Adjustability: Not adjustable, With control gear: Yes, Dimmable: No, Control: on/off.

Article data	
Article no.	10129208
GTIN	4250047770671
Series name	TIBELL-S
Short description	LED wall recessed light
Material	Stainless steel / Aluminium / Plastic
Colour	Stainless steel
Type of surface	Matt
Shape	Square
Built-in diameter	68 mm
Installation depth	65 mm
Length	85 mm
Width	85 mm
Hight	85 mm
Weight	0.400 kg

TIBELL-S LED wall recessed light
Article no. 10129208

Light.
For Generations.

Lighting technology	
Colour temperature	blau
Light colour	Blue
Luminous flux	20 lm
System efficiency	17 lm/W
Colour rendering	CRI > 80
Reflector	Matt
Light sharing	Asymmetric

Operating technology of the luminaire	
System output	1.2 W
Voltage type	AC
AC nominal voltage max	230 V
Frequenz max.	50 Hz
Lamp	LED
Protection class	I
Degree of protection	IP20
Dimmable	No
Control	on/off
Bulb change possible	Yes

Operating technology of driver	
Protection class	II
Degree of protection	IP66
Control	on/off
version	Plug&Play

Mounting technology	
Mounting method	Recessed mounting
Place of installation	Wall-mounted
Adjustability	Not adjustable
Material cover	Other

Packing data	
Gross weight	0.43 kg
Length of packaging	95 mm
Packaging width	75 mm
Packaging high	95 mm
Disposal at end of life	This product must not be disposed of with household waste. You are obliged, to dispose of such electrical waste separately. By disposing of electrical waste and other old or defective electronics separately, you support recycling or other forms of re-use. In that way you help to take care and to avoid that harmful substances get into the environment.