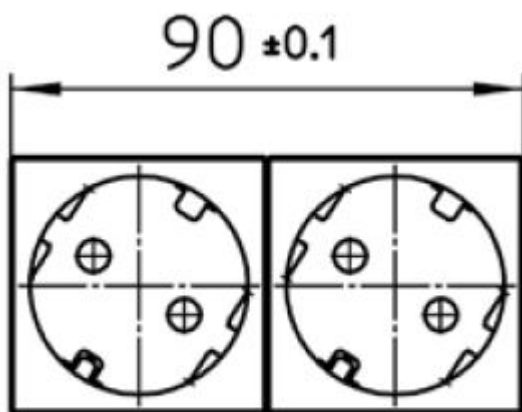


**SCHUKO built-in socket Concept 45
green**

Product Data Sheet



With child-protection	Yes
Frequency	50-60Hertz
Nominal voltage	250Volt
Halogen free	Yes
Nominal current	16Ampere
Model	Protective contact (SCHUKO)
Connection type	Plug clamp
Colour	Green
Mounting method	Wall duct
Type of fastening	Mounting with screw
Material	Plastic
Material quality	Thermoplastic
Surface protection	Untreated
Suitable for degree of protection (IP)	IP20



**SCHUKO built-in socket Concept 45
green**

SCHUKO built-in socket Concept 45, 90 mm wide with clamp terminals, double pole,
16 A 250 V, with connecting terminals in compliance with VDE 0620, 2 gang,
33° inclined, with increased protection against electric shock

Material No.	Article No.	EAN-code
00518511	D 6212.42 EMS SI WI	4010105518511

PEHA Elektro GmbH & Co.KG

a Honeywell Company
Daimlerstraße 4
58553 HALVER
DEUTSCHLAND

Tel.: 02353 9118 001
Fax: 02353 9118 311
mail: peha@honeywell.com
www.peha.de

Änderungen vorbehalten. © Honeywell PEHA