

## Domestic panel mounting socket outlet TN - flange diameter 65x72, double fixing 58mm



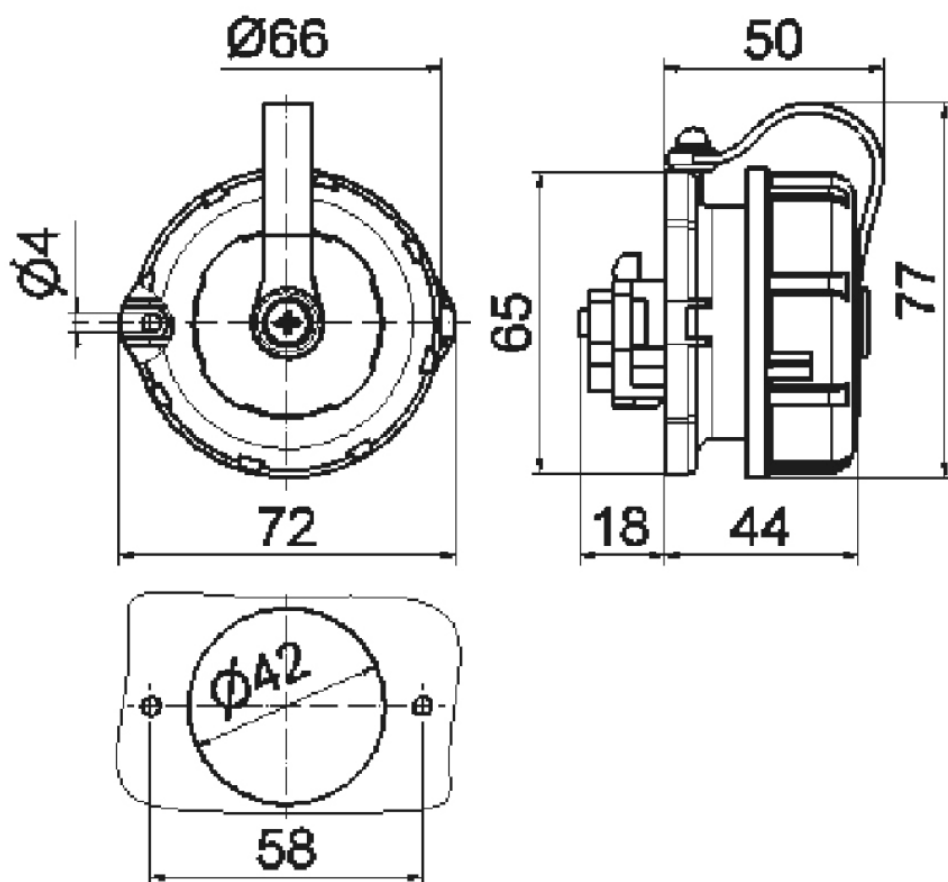
| Product description |  |
|---------------------|--|
| BALS-Prd.-Nr        | 7115   |
| EAN                 | 4024941071154  |
| Product category    | TN domestic panel mounting socket outlet, straight, System F German standard |
| Current             | 16A  |
| Number of poles     | 3p   |
| Poles               | 2P+PE  |
| Voltage             | 250V   |
| Frequency           | alternating current (AC)   |

| <b>Product description</b>     |  |
|--------------------------------|--|
| VG-Type-No.:                   | VG 96926 BS 001  |
| Supplynumber:                  | 5935-12-314-4770   |
| Protection degree              | IP68   |
| Colour code                    | bronze-green RAL 6031-F9   |
| Colour of appliance            | Bayonet ring bronze-green RAL 6031-F9, Hinged lid bronze-green RAL 6031-F9, Enclosure bronze-green RAL 6031-F9 |
| Connection design              | head-screw terminal  |
| Maximum conductor size         | 4,0 qmm  |
| Cable entry                    | other  |
| Height                         | 77mm   |
| Width                          | 72mm   |
| Depth                          | 62mm   |
| Flange size vertical           | 65mm   |
| Flange size horizontal         | 72mm   |
| Drill hole distance horizontal | 58mm   |
| Material of enclosure          | Polyamide  |
| Contact                        | The contact carrier is made of high temperature resistant material, the contacts are brass nickel plated       |

| <b>Additional technical properties</b> |   |
|--|---|
|  | The flange is oval and has a two-point attachment of 58 mm, The connection is rear, with german earthing system |

| Additional technical properties |                             |
|---------------------------------|-----------------------------|
|                                 | With bayonet cover on strap |

| Logistics data |                 |
|----------------|-----------------|
| Weight/pcs     | 0.11 kg / Piece |
| Packaging      | Bag             |
| Content amount | 1 ST            |
| EAN            | 4024941071154   |
| Length         | 62 mm           |
| Width          | 72 mm           |
| Height         | 77 mm           |
| Weight         | 0.111 kg        |
| Volume         | 343.728 ccm     |
| Packaging      | Carton          |
| Content amount | 10 ST           |
| EAN            | 4024941840170   |
| Length         | 207 mm          |
| Width          | 162 mm          |
| Height         | 142 mm          |
| Weight         | 1.2 kg          |
| Volume         | 3,750 ccm       |



# 18 MB 21