


Hightech

Elamid SCHUKO plug and connectors




Plugs and connectors made of resilient high-performance Elamid plastic for use under difficult conditions. Connector in three variants.

 SCHUKO standard

 Max. load up to 1 tonne

 Up to IP54

 UV- and media resistant

 Large connection space up to 2.5 mm²

 Screwed seal



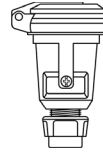
Plug with double earthing system



Connector



Connector with collar



Connector with self-closing hinged lid

General information

Colours				
Product range	1520	1580	1580	1580
Commodity code	85366990	85366990	85366990	85366990
Packaging unit	10 unit	10 unit	10 unit	10 unit
Packing (l × w × h)	248 × 161 × 100 mm	248 × 161 × 140 mm	248 × 161 × 140 mm	248 × 161 × 140 mm
Available with increased contact protection	–	–		–

Electrical parameters

Current	16 A	16 A	16 A	16 A
Voltage	250 V	250 V	250 V	250 V
Number of poles	2P + PE	2P + PE	2P + PE	2P + PE

Standards/guidelines

According to standard	DIN VDE 0620 NF C61-314 NBN C61-112	DIN VDE 0620	DIN VDE 0620	DIN VDE 0620
Certification labels				



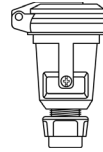
Plug with double earthing system



Connector



Connector with collar



Connector with self-closing hinged lid

Operating conditions

Storage temperature	-40 °C to +80 °C	-40 °C to +80 °C	-40 °C to +80 °C	-40 °C to +80 °C
Operating temperature	-30 °C to +40 °C	-30 °C to +40 °C	-30 °C to +40 °C	-30 °C to +40 °C
Relative humidity	5 to 95%, no condensation	5 to 95%, no condensation	5 to 95%, no condensation	5 to 95%, no condensation
IP rating	IP54, IK08	IP20, IK08	IP44, IK08	IP54, IK08
Resistance	UV- and media resistant* Very good resistance to most oils, greases, solvents and cleaning agents, hydrocarbons as well as organic and inorganic bases in normal concentrations	UV- and media resistant* Very good resistance to most oils, greases, solvents and cleaning agents, hydrocarbons as well as organic and inorganic bases in normal concentrations	UV- and media resistant* Very good resistance to most oils, greases, solvents and cleaning agents, hydrocarbons as well as organic and inorganic bases in normal concentrations	UV- and media resistant* Very good resistance to most oils, greases, solvents and cleaning agents, hydrocarbons as well as organic and inorganic bases in normal concentrations

Materials

Contact holder	PA	PA	PA	PA
Housing	Elamid	Elamid	Elamid	Elamid

Connection cable

Cross section	3 × 0.75 mm ² - 3 × 2.5 mm ²	3 × 1.00 mm ² - 3 × 2.5 mm ²	3 × 1.00 mm ² - 3 × 2.5 mm ²	3 × 1.00 mm ² - 3 × 2.5 mm ²
Cable diameter	6 - 12 mm	6 - 12 mm	6 - 12 mm	6 - 12 mm
Sheath insulation stripping length	33 - 35 mm	33 - 35 mm	33 - 35 mm	33 - 35 mm
Core insulation stripping length	8 - 10 mm	8 - 10 mm	8 - 10 mm	8 - 10 mm



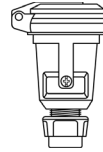
Plug
with double
earthing system



Connector



Connector
with collar



Connector with
self-closing
hinged lid

Connection screws

Max. torque screws terminals L-N / PE	0.5 Nm	0.5 Nm	0.5 Nm	0.5 Nm
Screw drive terminals L-N / PE	Combined slot / PZ1	Combined slot / PZ1	Combined slot / PZ1	Combined slot / PZ1
Max. torque for screws housing	0.5 Nm	0.5 Nm	0.5 Nm	0.5 Nm
Screw drive housing	Combined slot / PZ1	Combined slot / PZ1	Combined slot / PZ1	Combined slot / PZ1
Max. torque for screws strain relief	0.5 Nm	0.5 Nm	0.5 Nm	0.5 Nm
Screw drive strain relief	Combined slot / PZ1	Combined slot / PZ1	Combined slot / PZ1	Combined slot / PZ1

Additional technical information

Turning the strain relief clamp	recommended for cable diameters ≤ 8 mm	recommended for cable diameters ≤ 8 mm	recommended for cable diameters ≤ 8 mm	recommended for cable diameters ≤ 8 mm
External screw connection	Wrench size SW 24 Max. torque: 2.5-3.75 Nm	Wrench size SW 24 Max. torque: 2.5-3.75 Nm	Wrench size SW 24 Max. torque: 2.5-3.75 Nm	Wrench size SW 24 Max. torque: 2.5-3.75 Nm



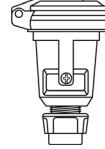
Plug
with double
earthing system



Connector



Connector
with collar



Connector with
self-closing
hinged lid

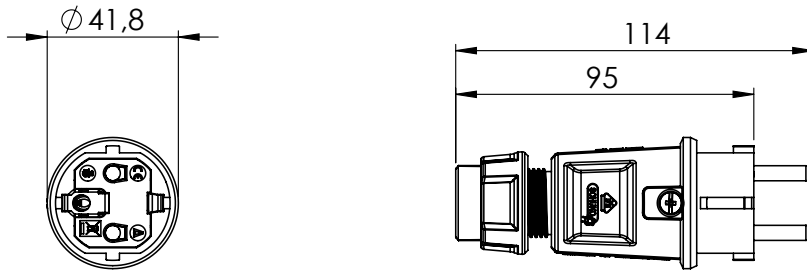
Product numbers

● Black	100000064	100000073	100000080	100000084
			100000076 (With contact protection)	
● Red	100000065	100000074	100000081	100000085
			100000077 (With contact protection)	
● Blue	100000066	100000075	100000082	100000086
			100000078 (With contact protection)	
● Orange	100000067	100000212	100000083	100000087
			100000079 (With contact protection)	

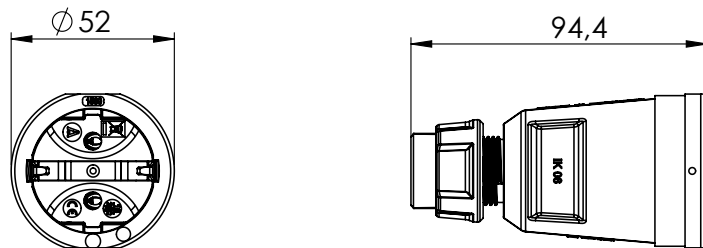
EAN/GTIN numbers

● Black	4011721188935	4011721189031	4011721189178	4011721189062
			4011721189130 (With contact protection)	
● Red	4011721190723	4011721189048	4011721189185	4011721189079
			4011721189147 (With contact protection)	
● Blue	4011721188959	4011721189055	4011721189192	4011721189086
			4011721189154 (With contact protection)	
● Orange	4011721188966	4011721191911	4011721189208	4011721189093
			4011721189161 (With contact protection)	

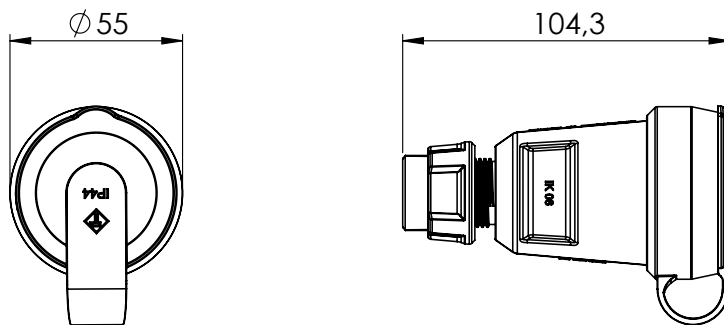
Dimensional drawing – plug with double earthing system



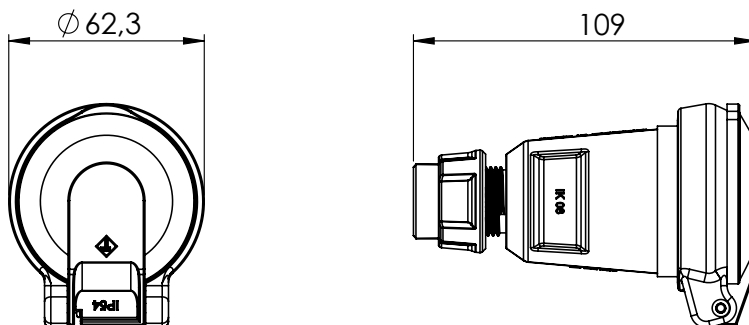
Dimensional drawing – connector



Dimensional drawing – connector with collar



Dimensional drawing – connector with self-closing hinged lid



Subject to technical changes.

*If there are special requirements for the application in terms of load-bearing capacity or resistance to certain media, e.g. acid, we recommend testing the application under actual or simulated conditions of use, as parameters such as exposure time, exposure quantity and temperature in particular have a major influence.