

Plug - with screw terminals one piece housing



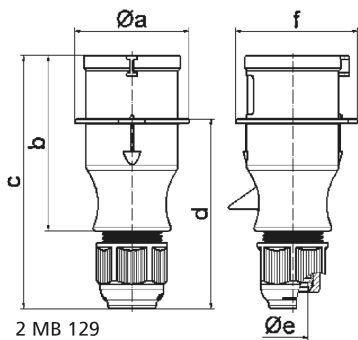
| Product description | |
|-------------------------------|--------------------------------------|
| BALS-Prd.-Nr | 21012-TLS |
| EAN | 4024941199193 |
| product category (PG) | TLS plug with Multi-Grip cable gland |
| current (A) | 32A |
| number of poles (P99) | 3p |
| number of poles (P) | 2P+PE |
| position of earth contact (H) | 4 h |
| voltage (V) | 100 up to 130V |
| frequency (HZ) | 50 and 60Hz |

| Product description | |
|-----------------------------|--|
| protection degree (SA) | IP44 |
| colour code 1 (KF1) | yellow RAL 1012 |
| Colour of appliance | Enclosure yellow RAL 1012, Cable gland grey RAL 7035 |
| connection design (AT) | with screw terminal |
| maximum conductor size (LQ) | 6,0 qmm |
| cable entry (KE) | Cable gland |
| Height | 167mm |
| Width | 71mm |
| Depth | 81mm |
| material of enclosure (GM) | Polyamide |
| contact | The contact carrier is made of polyamide, The contacts are brass |

| Additional technical properties | |
|---------------------------------|---|
| | one piece housing, Multi-Grip cable gland with gasket and integrated strain relief, For cable diameter from 11 up to max. 23,5 mm |

| Logistics data | |
|----------------|----------------|
| Weight/pcs | 0.2 kg / Piece |
| Packaging | Bag |
| Content amount | 1 ST |
| EAN | 4024941199193 |

| Logistics data | |
|----------------|---------------|
| Length | 81 mm |
| Width | 71 mm |
| Height | 167 mm |
| Weight | 0.201 kg |
| Volume | 960.417 ccm |
| Packaging | Carton |
| Content amount | 10 ST |
| EAN | 4024941826822 |
| Length | 245 mm |
| Width | 177 mm |
| Height | 185 mm |
| Weight | 2.133 kg |
| Volume | 7,140 ccm |



| Ampere | 16 | 16 | 16 | 32 | 32 | 32 |
|----------------------------|-------|-------|-------|-------|-------|-------|
| Polzahl | 3 | 4 | 5 | 3 | 4 | 5 |
| a ø | 54,0 | 60,0 | 66,0 | 71,0 | 71,0 | 80,0 |
| b | 94,5 | 98,0 | 101,0 | 115,0 | 115,0 | 119,0 |
| c | 138,0 | 142,0 | 145,0 | 170,0 | 170,0 | 174,0 |
| d | 101,5 | 105,5 | 108,5 | 124,0 | 124,0 | 128,0 |
| e ø | 18,0 | 18,0 | 18,0 | 23,0 | 23,0 | 23,0 |
| f | 56,6 | 64,0 | 71,0 | 76,0 | 76,0 | 85,0 |
| Leiter mm ² min | 1 | 1 | 1 | 2,5 | 2,5 | 2,5 |
| Leiter mm ² max | 2,5 | 2,5 | 2,5 | 6 | 6 | 6 |
| | | | | | | |
| | | | | | | |
| | | | | | | |