

## DIN-Power code pin



Image is for illustration purposes only. Please refer to product description.

Part number	09 06 000 9950
Specification	DIN-Power code pin
HARTING eCatalogue	<a href="https://b2b.harting.com/09060009950">https://b2b.harting.com/09060009950</a>

### Identification

Category	Accessories
Series	DIN 41612
Type of accessory	Coding pin
Description of the accessory	for types D, E, F and interface connectors I
Features	lead-free

### Technical characteristics

Isolation group	IIIa ( $175 \leq CTI < 400$ )
-----------------	-------------------------------

### Material properties

Material (accessories)	Metal
Colour (accessories)	RAL 7032 (pebble grey)
Material flammability class acc. to UL 94	V-0
RoHS	compliant with exemption
RoHS exemptions	6(c): Copper alloy containing up to 4 % lead by weight
ELV status	compliant with exemption
China RoHS	50
REACH Annex XVII substances	Not contained
REACH ANNEX XIV substances	Not contained
REACH SVHC substances	Yes
REACH SVHC substances	Lead
ECHA SCIP number	0d7d3693-d625-47ab-934a-d241bf72c86e
California Proposition 65 substances	Yes

## Material properties

California Proposition 65 substances      Lead

## Specifications and approvals

Railway classification      F4/I3 acc. to NFF 16-101/102

## Commercial data

Packaging size      100

Net weight      0.09 g

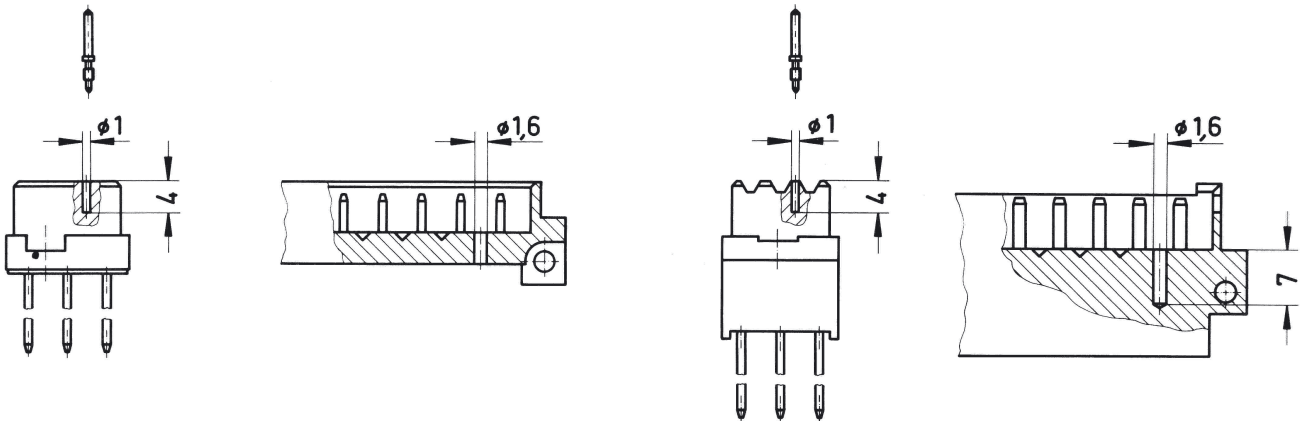
Country of origin      Germany

European customs tariff number      85389099

GTIN      5713140010147

eCl@ss      27440203 Coding for industrial connectors

## Coding pin



Drill out the male connector at pre-centered point according to the sketch. The coding pin can then be inserted into the corresponding cavity of the female connector by means of the insertion tool. This coding system is available only for the types D, E, F and interface connectors I.