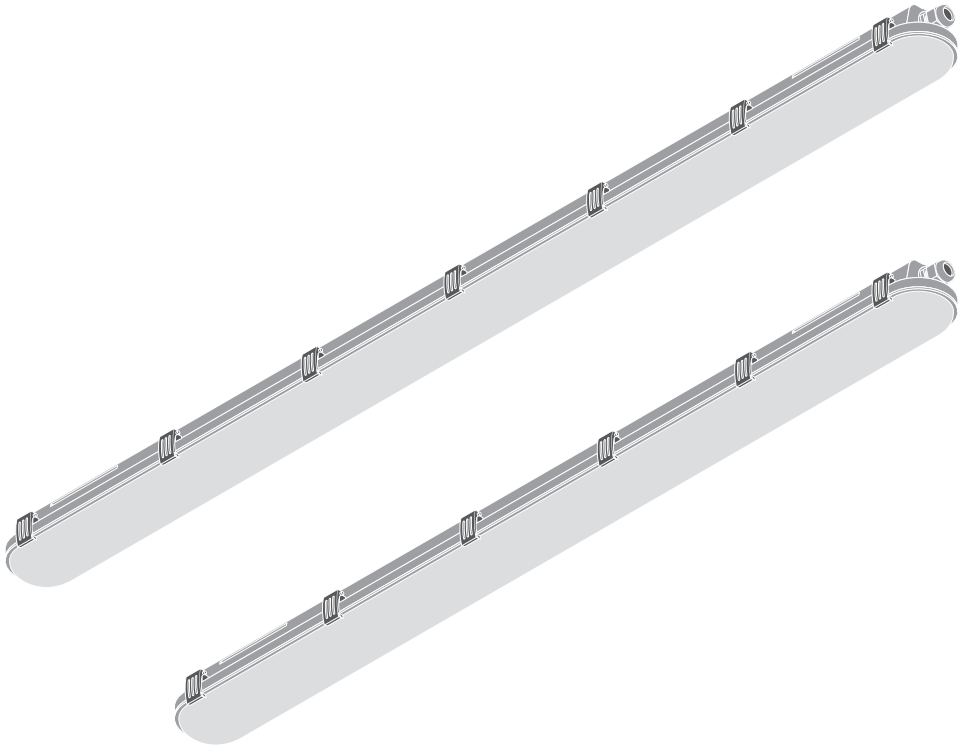


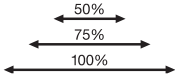
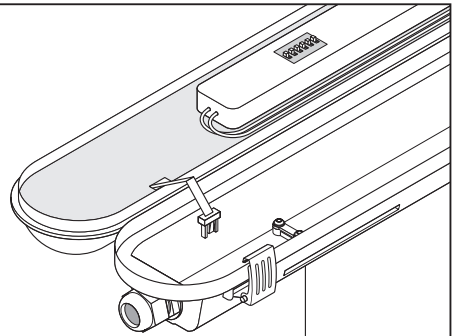
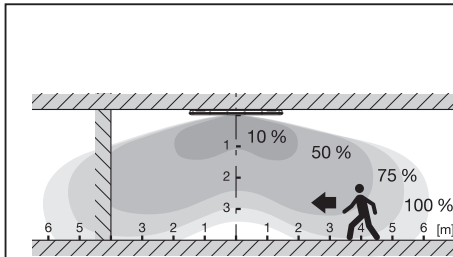
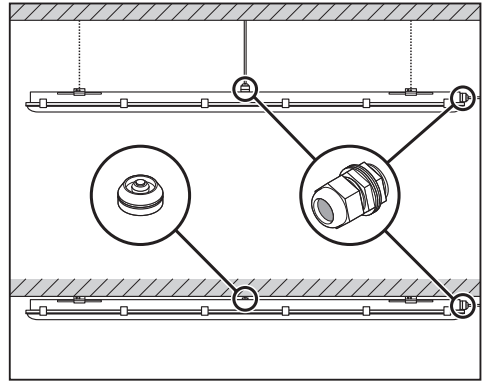
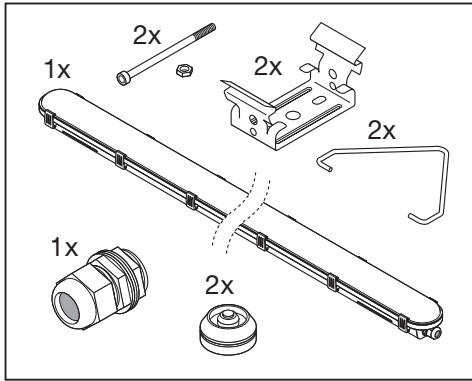
DAMPPROOF SENSOR IP65



	EAN	l x w x h [mm]	W	VAC	Hz	lm	lm/W	K
DP S 1200 32W 840 IP65 GY	4058075541962	1200 x 82 x 68	32	220-240V	50/60 Hz	4400	138	4000
DP S 1500 46W 840 IP65 GY	4058075541986	1500 x 82 x 68	46	220-240V	50/60 Hz	6400	139	4000
DP S 1500 58W 840 IP65 GY	4058075542006	1500 x 82 x 68	58	220-240V	50/60 Hz	8000	138	4000

	EAN	IP	IK	∇	R _a	°(°C)	PF	👤
DP S 1200 32W 840 IP65 GY	4058075541962	65	08	110	> 80	-20...+40	> 0.9	1.6kg
DP S 1500 46W 840 IP65 GY	4058075541986	65	08	110	> 80	-20...+40	> 0.9	1.9kg
DP S 1500 58W 840 IP65 GY	4058075542006	65	08	110	> 80	-20...+40	> 0.9	1.9kg

DAMPProof SENSOR IP65



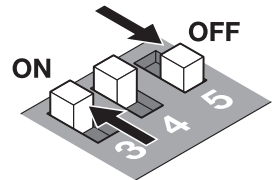
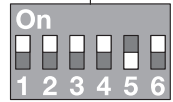
Hold Time

3	4	
ON	ON	5s
-	ON	90s
ON	-	5min
-	-	15min



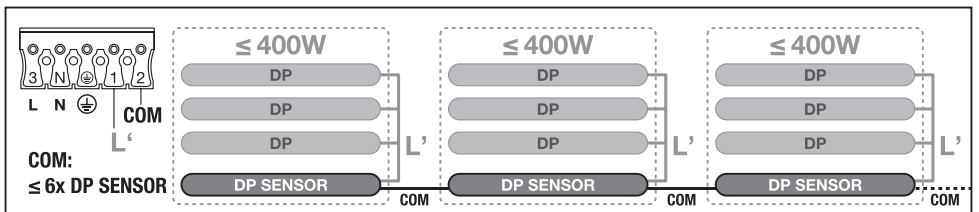
Daylight threshold

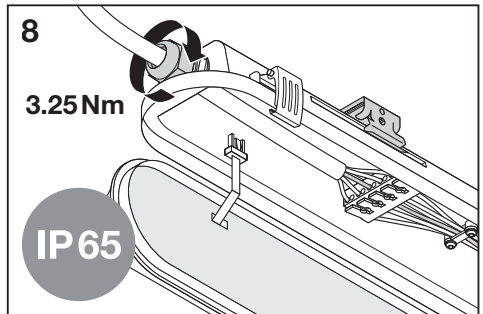
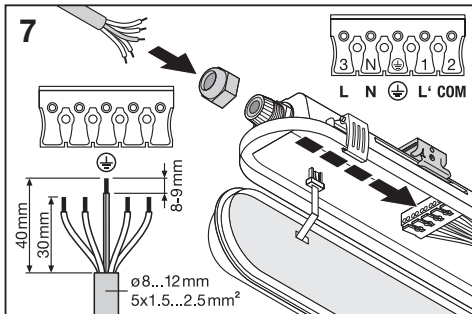
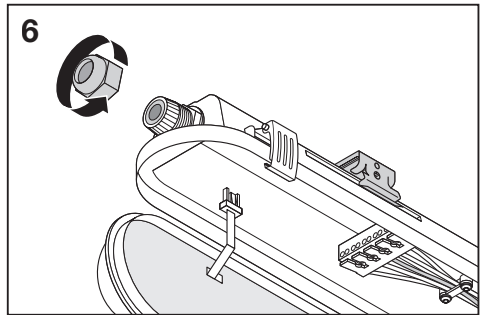
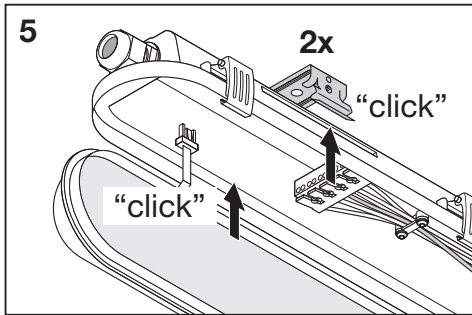
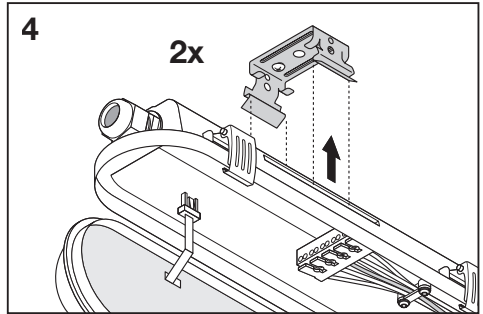
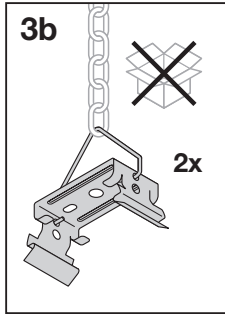
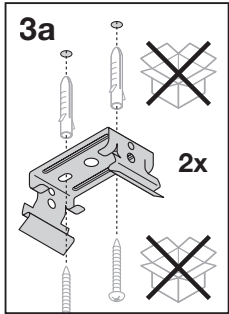
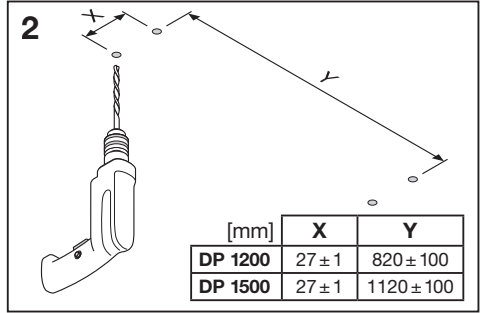
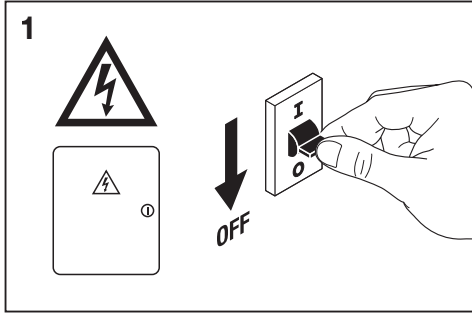
5	6	
ON	ON	Disable
-	ON	50lux
ON	-	10lux
-	-	2lux

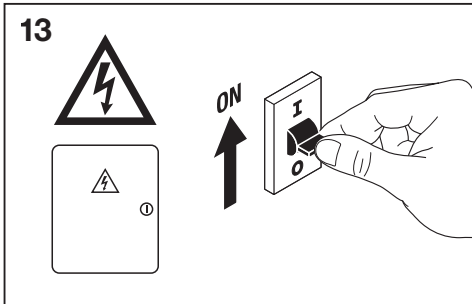
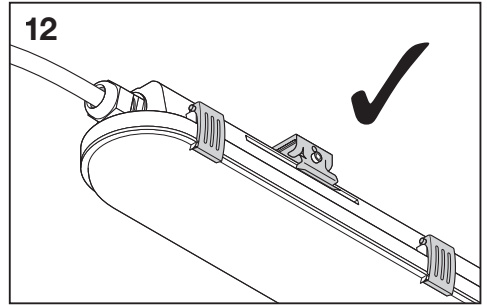
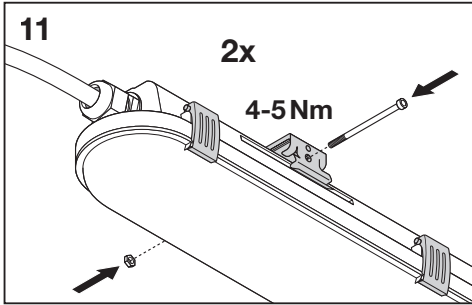
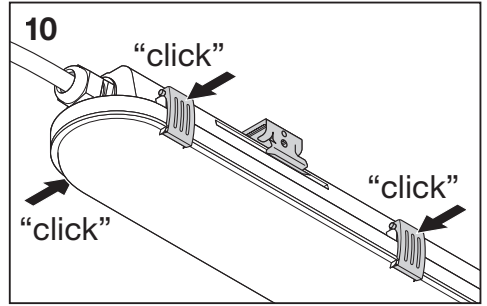
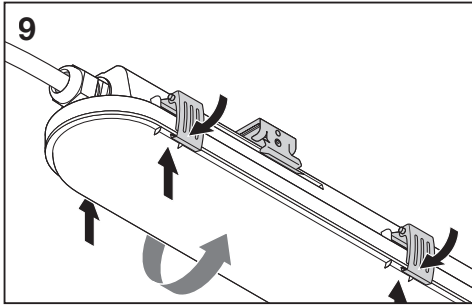


Detection Area

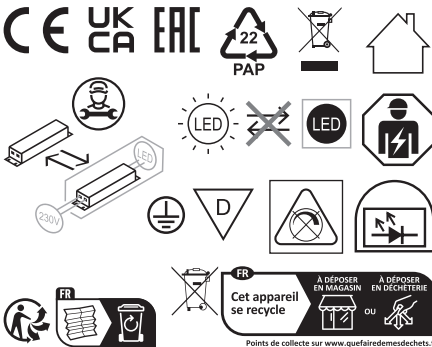
1	2	
ON	ON	100%
-	ON	75%
ON	-	50%
-	-	10%







nx	B16	C10	C16
DP S 1200 32W 840	n=27	n=24	n=39
DP S 1500 46W 840	n=26	n=23	n=37
DP S 1500 58W 840	n=26	n=23	n=38



LEDVANCE GmbH
Steinerne Furt 62
86167 Augsburg, Germany
www.ledvance.com

C10449057
G11140185
20.04.22

© LEDVANCE Ltd, Aquila House
Delta Crescent, Westbrook, Warrington
WA5 7NR, United Kingdom

FR
Cet appareil se recycle
A DÉPOSER EN MAGASIN
A DÉPOSER EN DÉCHÈTERIE
Points de collecte sur www.quefairedemesdechets.fr