

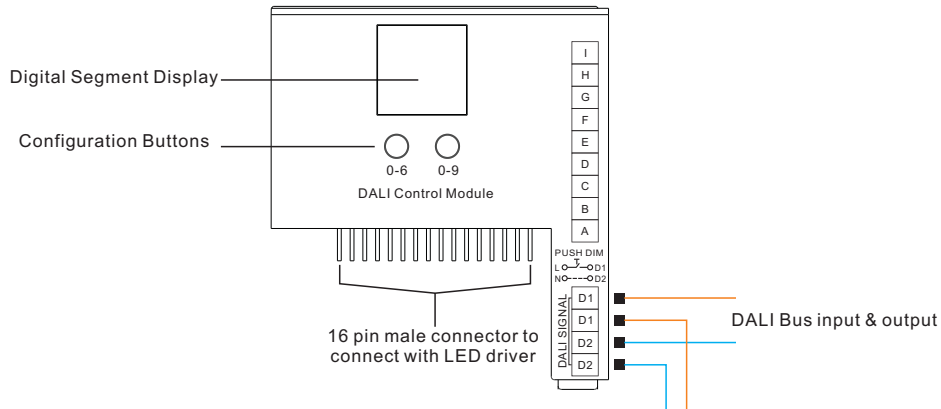
Plug-in Type DALI DT6 Control Module

09.09DALI.04735



Important: Read All Instructions Prior to Installation

Function introduction



Features

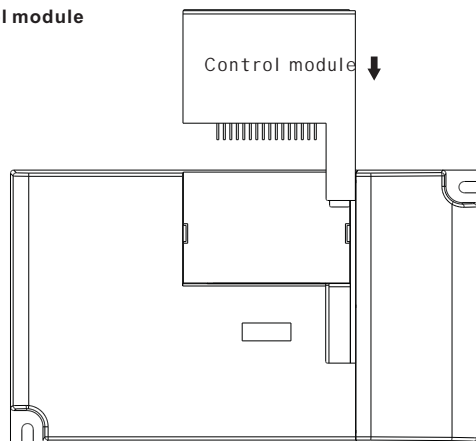
- Works with plug-in control module LED driver
- Built-in DALI/Push Dim interface
- Complies with DALI standards IEC62386-101, 102, 207
- DALI address can be manually set and showed on digital display
- 1/2 DALI addresses settable
- Enables to control single color and tunable white LED
- Logarithmic dimming curve, match the sensitivity of human eyes
- Compatible with universal DALI masters that support device type 6 commands

Safety & Warnings

- DO NOT assembly the control module with power applied to the LED driver.
- DO NOT expose the module to moisture.
- DO NOT change the control module within 1 minute after powering off the driver to avoid burning-out.

Operation

1.Assemble the control module



2.LED Driver Wiring:

Once the control module is assembled to the LED driver, do wiring of LED driver according to the wiring diagram.

3.Set DALI Address Manually Via Buttons:



- Press and hold down any of the two buttons until numeric digital display flashes, then release the button.
- Click any of the two buttons once to select a digit, click again to change the digit until the desired DALI address appears. Click first button to set "tens" position and second button to set "units" position. The address can be set from 00~63.
- Then press and hold down any of the 2 buttons until the numeric digital display stops flashing to confirm the setting.

Note: DALI address can be manually assigned from 00-63-FF, by factory defaults, no DALI address is assigned for the driver, and the display shows **FF**. Setting DALI address as **FF** will reset the dimmer to factory defaults.

4.DALI Address Assigned by DALI Masters:

a)DALI address can also be assigned by DALI Master controller automatically, please refer to user manuals of compatible DALI Masters for specific operations.

Note: The digital display will show **AU** when the DALI master is assigning addresses.

5.Set DALI Address Quantity:



- Press and hold down both of the two buttons until numeric digital display flashes, then release the button.
- Click first button to select "1A" or "2A" which means 1 address or 2 addresses.
- Then press and hold down any of the 2 buttons until the numeric digital display stops flashing to confirm the setting.

For example, when we set address to 22:

When select 1A, both two channels will be the same address 22.

When select 2A, channel 1 will be address 22, channel 2 will be address 23.

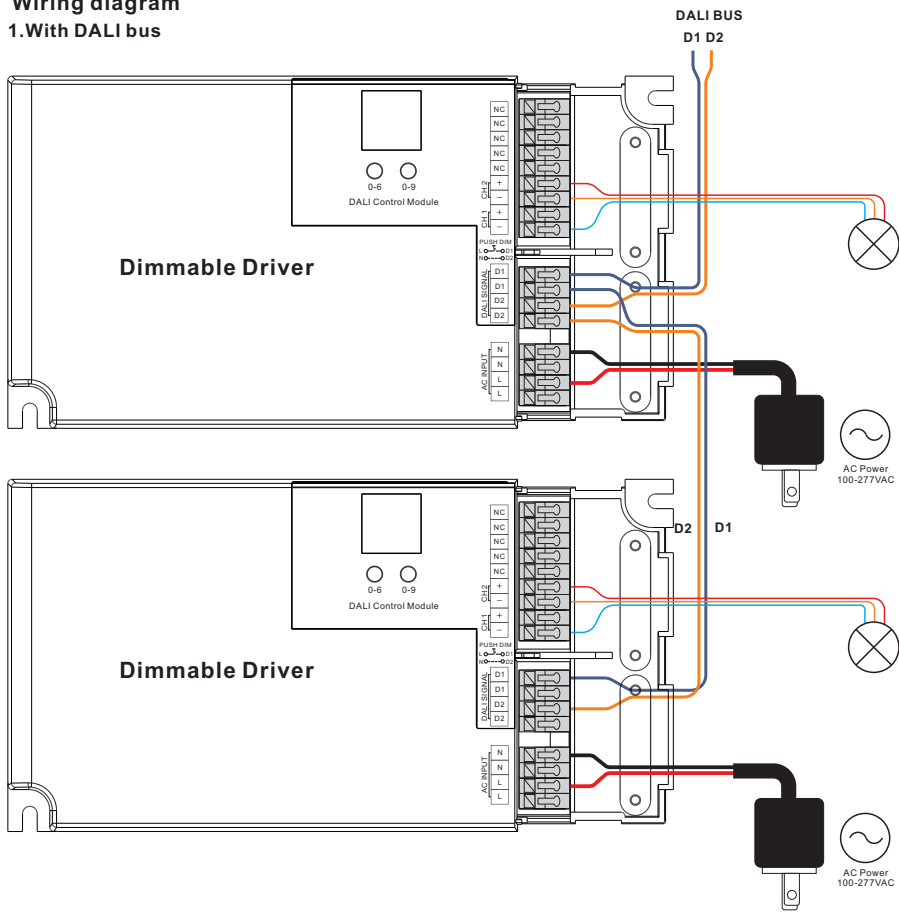
6. Push Dimmer Mode:

While connected with a AC push switch, the digital display will show "PD" which means Push Dimmer Mode, operations under Push Dimmer Mode are as follows:

- Click the button to switch ON/OFF
- Press and hold down the button to increase or decrease light intensity to desired level and release it, then repeat the operation to adjust light intensity to opposite direction. The dimming range is from 1% to 100%.
- Memory function after power off or power failure enables the device to memorize the status before power off while power on again.

Wiring diagram

1. With DALI bus



2. With PUSH dimmer

