

Panel mounting socket outlet, TN - flange 75x75, fixing centers 60x60

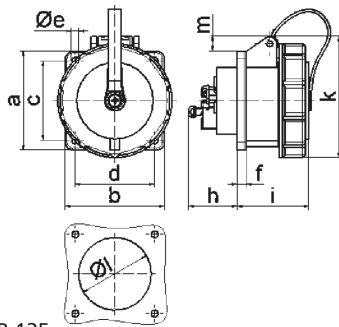


Product description	
BALS-Prd.-Nr	13066
EAN	4024941130660
Product category	TN panel mounting socket outlet Quick-Connect straight
Current	32A
Number of poles	5p
Poles	3p+N+PE
Position of earth contact	6 h
Voltage	200/346 up to 240/415V

Product description	
Frequency	50 and 60Hz
VG-Type-No.:	VG 96919 AS 005
Supplynumber:	5935-12-300-5323
Protection degree	IP67
Colour code	bronze-green RAL 6031-F9
Colour of appliance	Bayonet ring bronze-green, Hinged lid bronze-gr RAL6031F9, Enclosure bronze-gr RAL6031F9
Connection design	screwless spring-clamp Kontex
Maximum conductor size	10,0 qmm
Cable entry	other
Height	106mm
Width	101.5mm
Depth	113mm
Flange size vertical	75mm
Flange size horizontal	75mm
Drill hole distance vertical	60mm
Drill hole distance horizontal	60mm
Material of enclosure	Polyamide
Contact	The contact carrier is made of high temperature resistant material, the contacts are brass nickel plated

Additional technical properties	
	With bayonet cover on strap

Logistics data	
Weight/pcs	0.298 kg / Piece
Packaging	Bag
Content amount	1 ST
EAN	4024941130660
Length	113 mm
Width	101.5 mm
Height	106 mm
Weight	0.299 kg
Volume	1,215.767 ccm
Packaging	Carton
Content amount	10 ST
EAN	4024941821216
Length	122 mm
Width	222 mm
Height	538 mm
Weight	3.318 kg
Volume	14,332.32 ccm



4 MB 125

Ampere Polzahl	16 3	16 4	16 5	32 3	32 4	32 5
a	75,0	75,0	75,0	75,0	75,0	75,0
b	75,0	75,0	75,0	75,0	75,0	75,0
c	60,0	60,0	60,0	60,0	60,0	60,0
d	60,0	60,0	60,0	60,0	60,0	60,0
e ø	5,5	5,5	5,5	5,5	5,5	5,5
f	7,0	7,0	7,0	8,0	8,0	8,0
h	35,0	35,0	35,0	50,0	50,0	50,0
i	57,0	57,0	57,0	69,0	69,0	69,0
k	77,0	83,0	93,0	98,0	98,0	107,0
l ø	45,0	75,0	55,0	60,0	60,0	60,0
m	4,0	7,0	12,0	12,0	12,0	17,0
Leiter mm ² min	1,5	1,5	1,5	2,5	2,5	2,5
Leiter mm ² max	4,0	4,0	4,0	10,0	10,0	10,0