

---



---

**BIOLUX HCL PANEL 600/625 TW DALI**


---



---



---



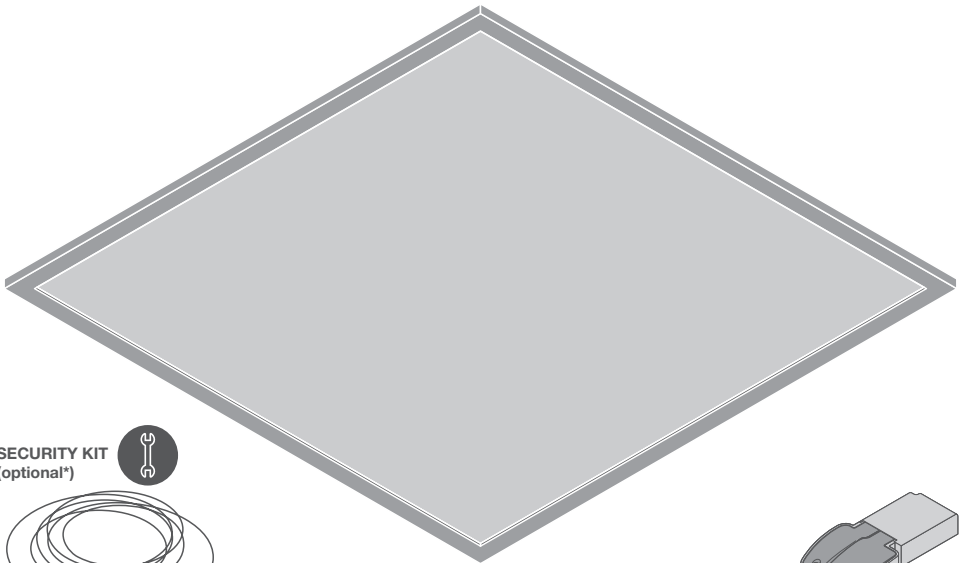
---

**BIOLUX HCL PANEL 625 TW CSW DALI**

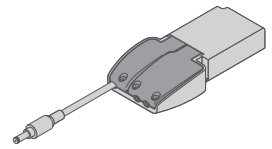

---



---

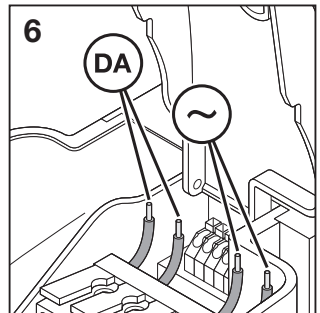
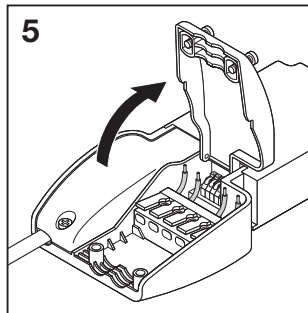
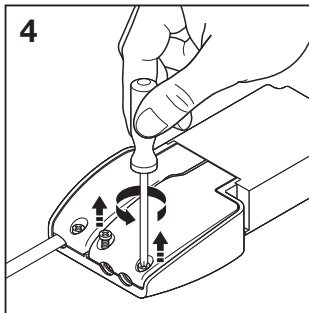
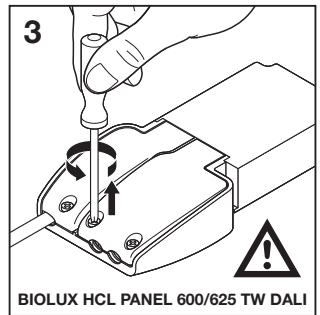
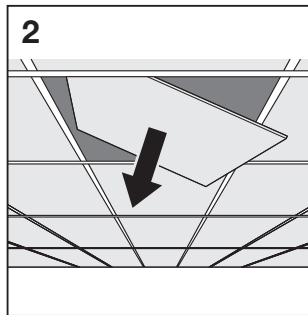
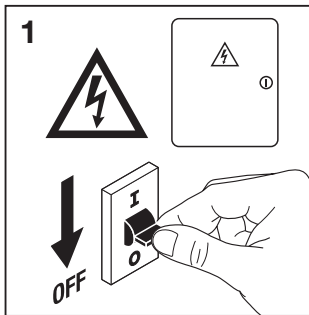
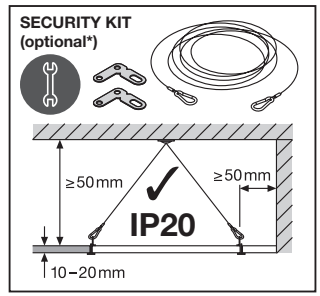
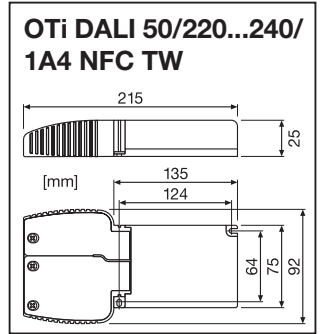
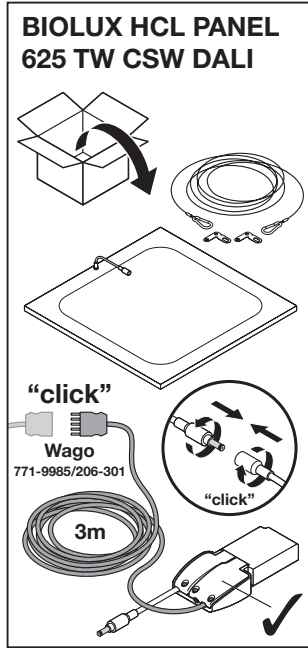
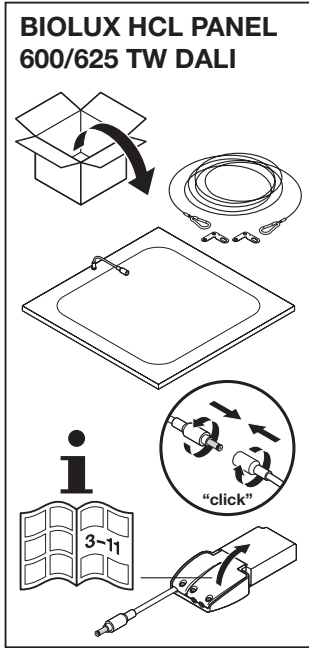


SECURITY KIT  
(optional\*)

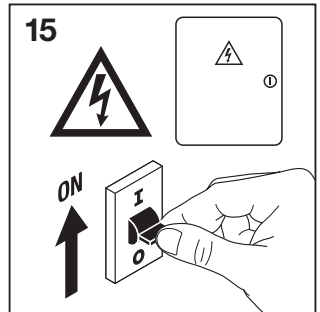
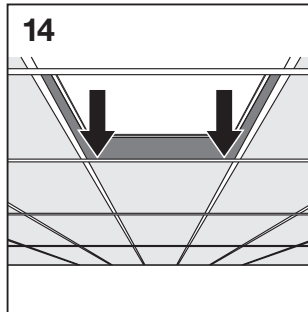
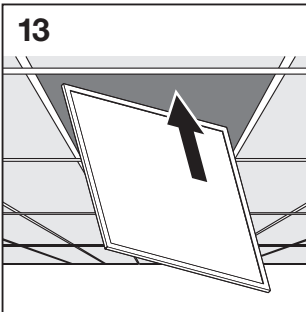
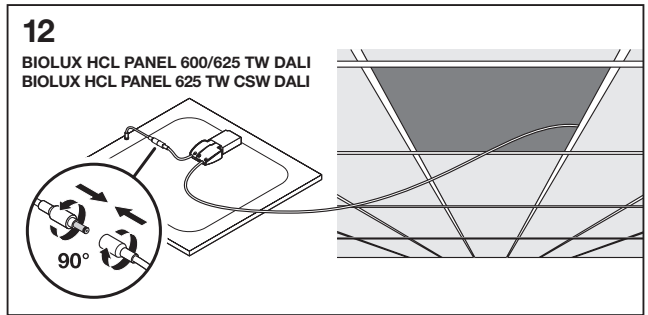
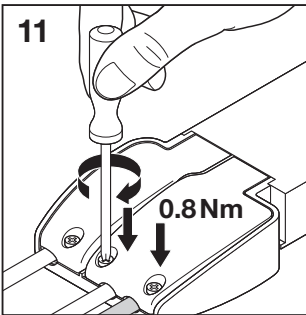
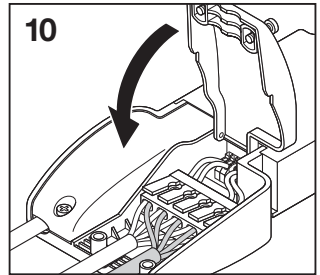
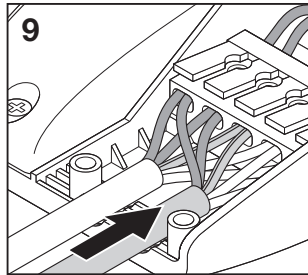
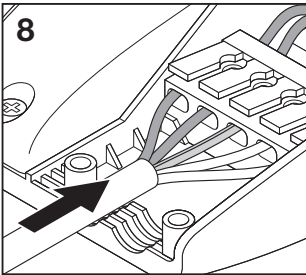
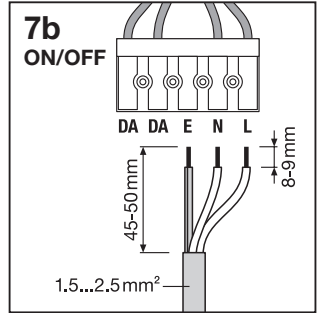
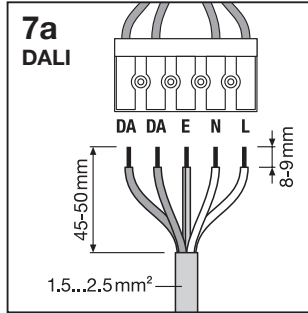
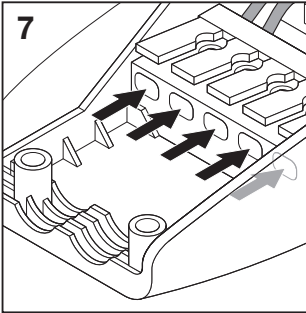


	EAN	l x w x h [mm]	W	V <sub>AC</sub>	Hz	lm	lm/W
BIOLUX HCL PL 600 S 40W TW DALI	4099854140068	595 x 595 x 11	40	220-240	0/50/60	4600	115
BIOLUX HCL PL 625 S 40W TW DALI	4099854140167	620 x 620 x 11	40	220-240	0/50/60	4600	115
BIOLUX HCL PL 625 S 40W TW CSW DALI	4099854140273	620 x 620 x 11	40	220-240	0/50/60	4600	115

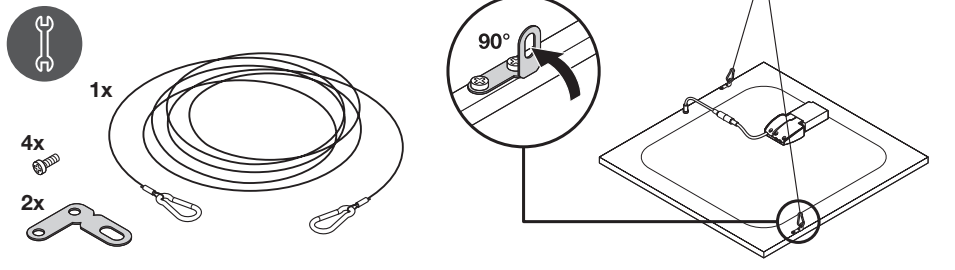
	EAN	K	IP	IK	∇	R <sub>a</sub>	⌚ (°C)	PF	👤
BIOLUX HCL PL 600 S 40W TW DALI	4099854140068	2700-6500	20	02	90°	≥90	-20...+40	>0.9	3.3 kg
BIOLUX HCL PL 625 S 40W TW DALI	4099854140167	2700-6500	20	02	90°	≥90	-20...+40	>0.9	3.4 kg
BIOLUX HCL PL 625 S 40W TW CSW DALI	4099854140273	2700-6500	20	02	90°	≥90	-20...+40	>0.9	3.9 kg



**!** 3-11: BIOLUX HCL PANEL 600/625 TW DALI



## SECURITY KIT (optional\*)



\* **D** Optional **E** En option **I** Opzionale **E** Opcional **P** Opcional **GB** Προαιρετικό **NL** Optioneel **S** Tillval **FM** Optio  
**N** Alternativ **SK** Ekstraudstyr **CZ** Volitelné **BS** Опционально **KZ** Қосымша **PL** Opcjonalnie **SR** Volitelné  
**SL** Izbirno **TR** Opsiyonel **HR** Opcionalno **RO** Opțional **RU** По избор **ST** Mittekohustuslik **LT** Pasirenkamas **LV** Pēc  
 izvēles **BB** Opcija **UA** Пропонується додатково

## ACCESSORIES

- SURFACE MOUNT KIT
- SURFACE MOUNT KIT VALUE
- SUSPENSION KIT
- RECESSED MOUNT FRAME
- RECESSED MOUNT CLIPS

**D**



**GB**



≤ 16 A	B10	B16	B25	B32	C10	C16	DALI	t <sub>c</sub>
BIOLUX HCL PL 600 S 40W TW DALI	14x	23x	35x	46x	23x	36x	OSRAM	<75°C
BIOLUX HCL PL 625 S 40W TW DALI	14x	23x	35x	46x	23x	36x	OSRAM OTI DALI 50/ 220...240/	<75°C
BIOLUX HCL PL 625 S 40W TW CSW DALI	14x	23x	35x	46x	23x	36x	1A4 NFC TW	<75°C



**FR** Cet appareil et ses accessoires se recyclent  
 À DÉPOSER EN MAGASIN  
 EN DÉCHÈTERIE  
 OU

**C10449057**  
**G11168067**  
 25.05.23

**LEDVANCE GmbH**  
 Steinerne Furt 62  
 86167 Augsburg, Germany  
[www.ledvance.com](http://www.ledvance.com)

**GB LEDVANCE Ltd**, Aquila House  
 Delta Crescent, Westbrook, Warrington  
 WA5 7NR, United Kingdom

Points de collecte sur [www.quefairedemesdechets.fr](http://www.quefairedemesdechets.fr)