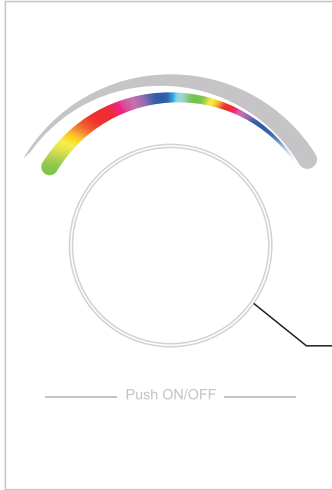
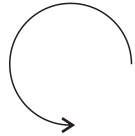


Important: Read All Instructions Prior to Installation

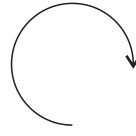
Function introduction

Rotate the knob counterclockwise:
1. Decrease light intensity from 100% to 1% (brightness mode).
2. Change RGB color (RGB color mode)

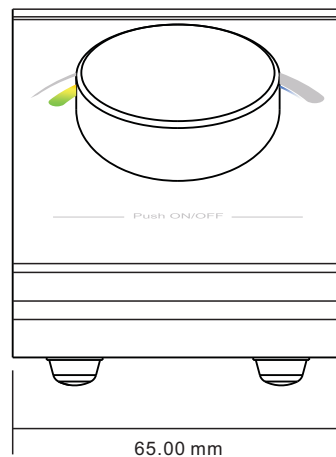
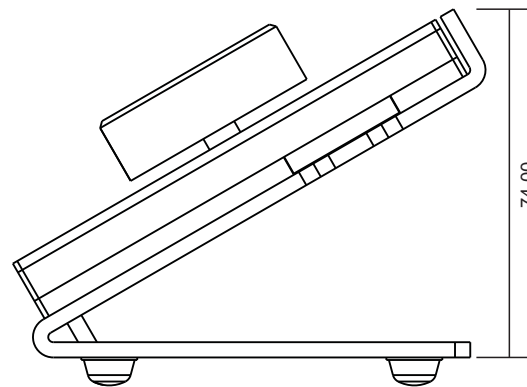


Front side

Rotate the knob clockwise:
1. Increase light intensity from 1% to 100% (brightness mode).
2. Change RGB color (RGB color mode)



Click the knob to switch ON/OFF. Press and hold down to adjust brightness to 100%. Double click the knob to switch between RGB color mode and brightness mode.



Product Data

Output Signal	RF signal
Power Supply	3V(CR2025)
Power consumption	10 mA
Operating temperature	0-40°C
Relative humidity	8% to 80%
Dimensions	96x65x74mm

- Rotation sensitive
- Compatible with all universal series RF receivers, radio frequency: 869.5MHz
- Control RGB color
- Control 1 zone of RF receiver
- Waterproof grade: Ip20

Safety & Warnings

- DO NOT install with power applied to device.
- DO NOT expose the device to moisture.

Operation

Pair with RF receivers:

Click "Learning Key" on RF receiver → Rotate or click the knob → LED lights connected with the RF receiver will flicker once → The receiver is paired with the remote successfully.

How to delete the pairing:

Press and hold down "Learning Key" on the receiver for over 3 seconds until connected LED lights flicker twice, which means the pairing is deleted successfully.

Installation

