

## Wall mounting socket outlet, switched, interlocked - housing dimensions 170x90

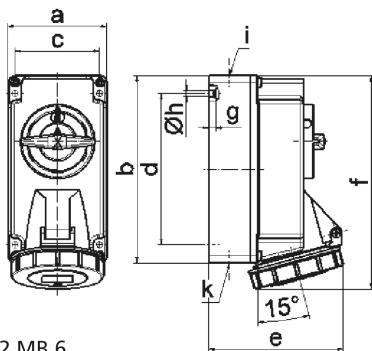


Product description	
BALS-Prd.-Nr	160048
EAN	4024941066570
Product category	TE wall mounting socket outlet, switched, interlocked
Current	16A
Number of poles	3p
Poles	2P+PE
Position of earth contact	6 h
Voltage	200 up to 250V

Product description	
Frequency	50 and 60Hz
Protection degree	IP67
Colour code	blue RAL 5015
Colour of appliance	Hinged lid blue RAL 5015, Bayonet ring grey RAL 7035, Housing bottom grey RAL 7035, Housing top grey RAL 7035, Control knob grey RAL 7035
Connection design	screwless spring terminals as cage clamp with Kontex-contact
Maximum conductor size	4,0 qmm
Cable entry	top entry M20 bottom entry M25/20
Height	194mm
Width	90mm
Depth	109mm
Dimension of enclosure	170x90 mm (HxW)
Material of enclosure	Polycarbonate
Contact	The contact carrier is made of high temperature resistant material, the contacts are brass nickel plated

Additional technical properties	
	The cable entry is one at top open and two at bottom closed
	In 0-position lockable for 3 padlocks with bow diameter up to 7 mm, Lower part of housing rotatable by 180°

Logistics data	
Weight/pcs	0.6 kg / Piece
Packaging	Carton
Content amount	1 ST
EAN	4024941066570
Length	205 mm
Width	102 mm
Height	134 mm
Weight	0.66 kg
Volume	2,118.48 ccm



Ampere Polzahl	16 3	16 4	16 5			
a	90,0	90,0	90,0			
b	170,0	170,0	170,0			
c	77,0	77,0	77,0			
d	137,5	137,5	137,5			
e	108,0	115,0	121,0			
f	191,5	191,5	191,5			
g	6,0	6,0	6,0			
h ø	5,5	5,5	5,5			
i	M20	M20	M20			
k	M20/25	M20/25	M20/25			