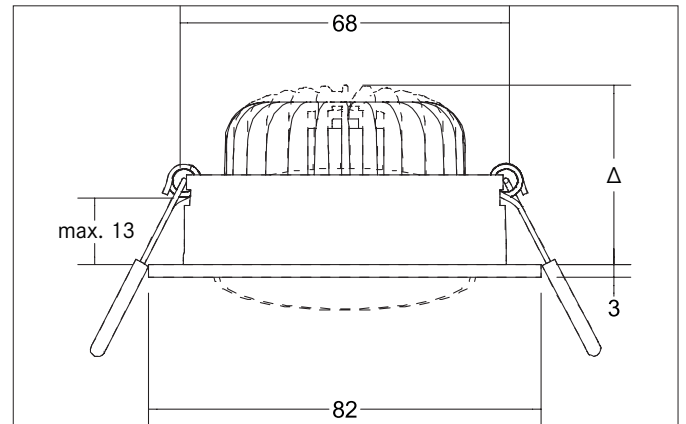
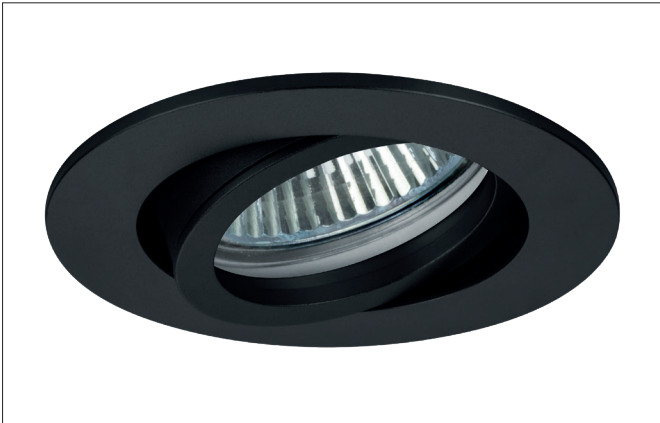


LOOP-R Recessed spot for LED - without LED module

Article no. 27063180

Light.
For Generations.**Tender**

Recessed spot for LED - without LED module, black structure, Round. In a compact design, for installation in tool-less rapid assembly systems. Alle Brumberg MR16-LED-Module sind für die Einbaueinheit LOOP verwendbar. Die Einbautiefe der Leuchte richtet sich nach dem jeweils verwendeten LED-Modul (hier: 5 mm, zzgl. Höhe des LED-Moduls). Das LED-Modul ist im Lieferumfang der Einbaueinheit nicht enthalten. Lamp holder: Without fitting, Mounting method: Recessed mounting, Place of installation: Ceiling-mounted, Material: Nylon / Magnesium Hydroxide / Fiberglass, Degree of protection: according to DIN EN 60529 IP20, Protection class: (EN 61140) III, Power: 14 W, Amount of light sources / fittings: 1 Qty, Adjustability: Pivoted, without control gear, Dimmable: Depending on type of control gear, Control: Depending on driver.

Product Benefits

LOOP®- Light Of Ocean Plastic.

The first certified LED recessed luminaire housing made of 100% recycled ocean plastic.

Plastic waste in the ocean is a global catastrophe, so we must do something about it.

We are making an important contribution with the first luminaire whose plastic content is made from 100 percent recycled ocean plastic.

With LOOP®, we are setting new standards for sustainable lighting solutions on the global market, that reflect high quality, functionality and aesthetics.

LOOP-R Recessed spot for LED - without LED module

Article no. 27063180

Light.
For Generations.

Article data	
Article no.	27063180
GTIN	4251433981947
Series name	LOOP-R
Short description	Recessed spot for LED - without LED module
Material	Nylon / Magnesium Hydroxide / Fiberglass
Colour	Black
Type of surface	Structure
Shape	Round
Outer diameter	82 mm
Built-in diameter	68 mm
Hight	3 mm
Weight	0.034 kg

Operating technology of the luminaire	
System output	14 W
Voltage type	DC
Lamp	For LED
Lamp holder	Without fitting
Protection class	III
Degree of protection	IP20
Dimmable	Depending on type of control gear
Control	Depending on driver
Bulb change possible	Yes

Mounting technology	
Mounting method	Recessed mounting
Place of installation	Ceiling-mounted
Adjustability	Pivoted
Swivel angle	20°
Max. ceiling thickness	13 mm
Further references	No cover with thermal insulation material
Material cover	Without cover
Circlip	Without circlip

Packing data	
Gross weight	0.064 kg
Length of packaging	110 mm
Packaging width	105 mm
Packaging hight	50 mm
Disposal at end of life	This product must not be disposed of with household waste. You are obliged, to dispose of such electrical waste separately. By disposing of electrical waste and other old or defective electronics separately, you support recycling or other forms of re-use. In that way you help to take care and to avoid that harmful substances get into the environment.

LOOP-R Recessed spot for LED - without LED module

Article no. 27063180

Light.
For Generations.

Compatible LED-modules						
Article no.	Power	Beam angle	Colour temperature	Luminous flux	Input	Hight LED-Modul
12925003	3 W	38°	2700 K	290 lm	350 mA	40 mm
12926003	3 W	38°	3000 K	310 lm	350 mA	40 mm
12925004	3 W	38°	4000 K	340 lm	350 mA	40 mm
12923383	6 W	38°	2700 K	600 lm	350 mA	32 mm
12923603	6 W	60°	2700 K	570 lm	350 mA	32 mm
12924383	6 W	38°	3000 K	680 lm	350 mA	32 mm
12924603	6 W	60°	3000 K	660 lm	350 mA	32 mm
12924384	6 W	38°	3500 K	680 lm	350 mA	32 mm
12924604	6 W	60°	3500 K	660 lm	350 mA	32 mm
12923384	6 W	38°	4000 K	720 lm	350 mA	32 mm
12923604	6 W	60°	4000 K	700 lm	350 mA	32 mm
12920183	6 W	18°	3000 K	640 lm	350 mA	31 mm
12920243	6 W	24°	3000 K	690 lm	350 mA	31 mm
12920003	6 W	38°	3000 K	670 lm	350 mA	31 mm
12920603	6 W	60°	3000 K	620 lm	350 mA	31 mm
12920184	6 W	18°	4000 K	685 lm	350 mA	31 mm
12920244	6 W	24°	4000 K	740 lm	350 mA	31 mm
12920004	6 W	38°	4000 K	720 lm	350 mA	31 mm
12920604	6 W	60°	4000 K	660 lm	350 mA	31 mm
12963383	6 W	38°	3000 K - 1800 K	460 lm	350 mA	32 mm
12963603	6 W	60°	3000 K - 1800 K	430 lm	350 mA	32 mm