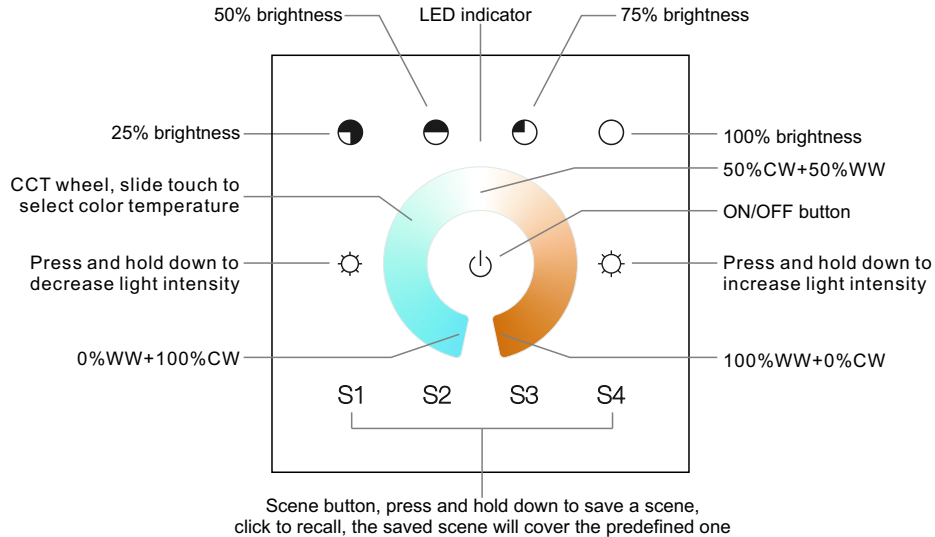
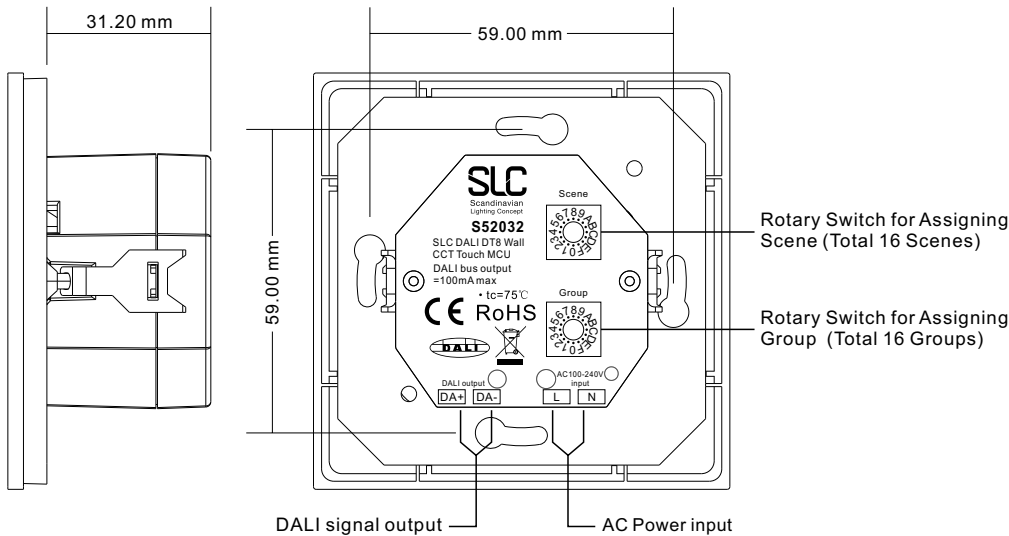


**Important:** Read All Instructions Prior to Installation

## Function introduction



Front side



Back side

## Product Data

Power supply	100-240VAC/DALI bus
Output	DALI signal
Operation current	<15 mA
DALI bus output	100 mA max.
DALI consumption	4 mA
Operating temperature	0-40°C
Relative humidity	8% to 80%
Dimensions	86x86x41.6mm
Waterproof grade	IP20

- Touch sensitive.
- Glass interface (white & black).
- Comply to DALI standard protocol IEC 62386-102, IEC 62386-207, IEC 62386-209 and in compliance with DALI products from other international incorporation
- Built-in 100mA DALI power supply to power up to max. 50 DALI ECGs.
- Powered by DALI bus while not connected to AC mains.
- Max. 100 DALI ECGs on a DALI line can be controlled by 4 control panels via broadcast (2 by AC mains, 2 by DALI bus).
- Enable to control 1 DALI Group and 4 DALI Scenes.
- Enable to set start DALI group number (0-15) and scene number (0-15) by rotary switches on the back.
- Support DT8 devices
- Color temperature adjustment according to DALI specifications of Device Type 8, Color Type Tc.
- Each DT8 device is controlled via a single DALI address

## Safety & Warnings

- DO NOT install with power applied to device.
- DO NOT expose the device to moisture.

## Operation

### 1. Set starting Group number via rotary switch on the back: (0-15 selectable)

- This DALI touch panel controller enables dimming commands and DT8 commands to be sent to 1 Group of devices on the DALI circuit. A rotary switch on the back is used to select Groups you would like to control and set the starting Group number, and total 16 Groups (0-15) can be selected.
- When the rotary switch arrow position is at 0, the panel controls all DALI devices on the circuit via broadcast.
- When the rotary switch arrow position is at X except 0 (1-15), the panel controls DALI Group X-1.

**Note:** all DALI slaves on the circuit shall be assigned to one or more DALI groups by DALI master first.

Please refer to the detailed Group setting table as follows:

Rotary Switch Position	0	1	2	3	4	5	6	7	8	9	A	B	C	D	E	F
DALI Group Selected	Broadcast	0	1	2	3	4	5	6	7	8	9	10	11	12	13	14

## 2. Set starting Scene number via rotary switch on the back: (0-15 selectable)

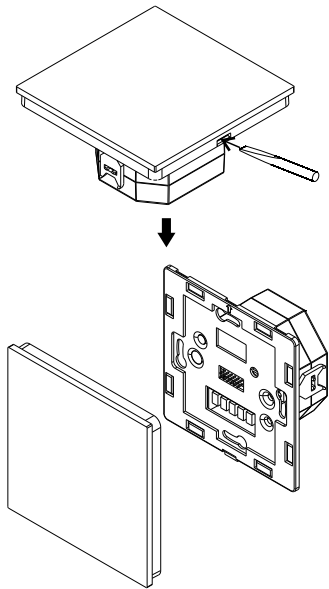
• This DALI touch panel controller enables Scene selection commands for up to 4 Scenes to be sent to the DALI circuit. A rotary switch on the back is used to select Scenes you would like to control and set the starting scene number, and total 16 Scenes (0-15) can be selected.

• When the rotary switch arrow position is at X (0-15), Scene button S1 controls Scene X, S2 controls Scene X+1, S3 controls Scene X+2, and S4 controls Scene X+3.

Please refer to the detailed Scene setting table as follows:

Rotary Switch Position	0	1	2	3	4	5	6	7	8	9	A	B	C	D	E	F
Scene assigned to S1	0	1	2	3	4	5	6	7	8	9	10	11	12	13	14	15
Scene assigned to S2	1	2	3	4	5	6	7	8	9	10	11	12	13	14	15	0
Scene assigned to S3	2	3	4	5	6	7	8	9	10	11	12	13	14	15	0	1
Scene assigned to S4	3	4	5	6	7	8	9	10	11	12	13	14	15	0	1	2

## Installation



## Wiring diagram

Figure 1: Wiring scheme to control up to 50 DALI ECG via broadcast or control 1 DALI group.

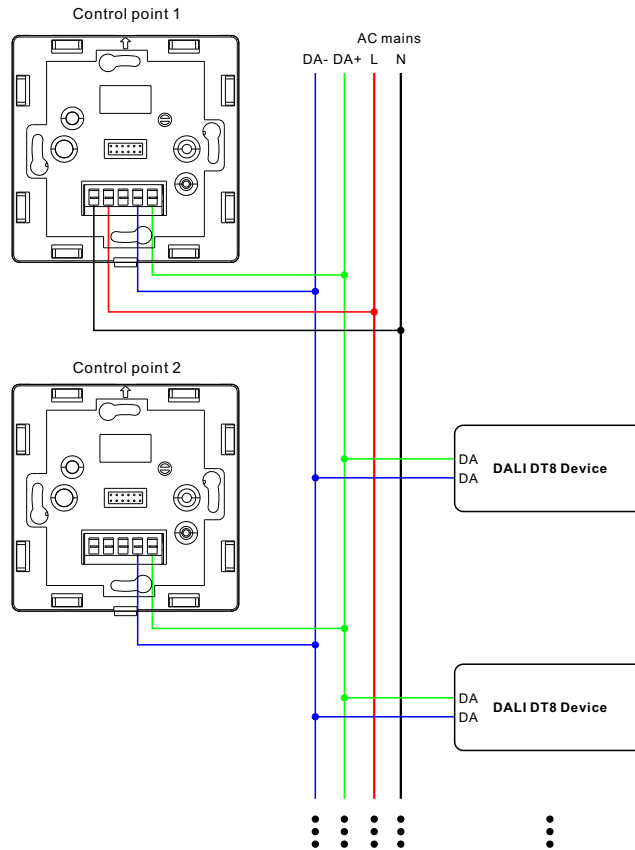
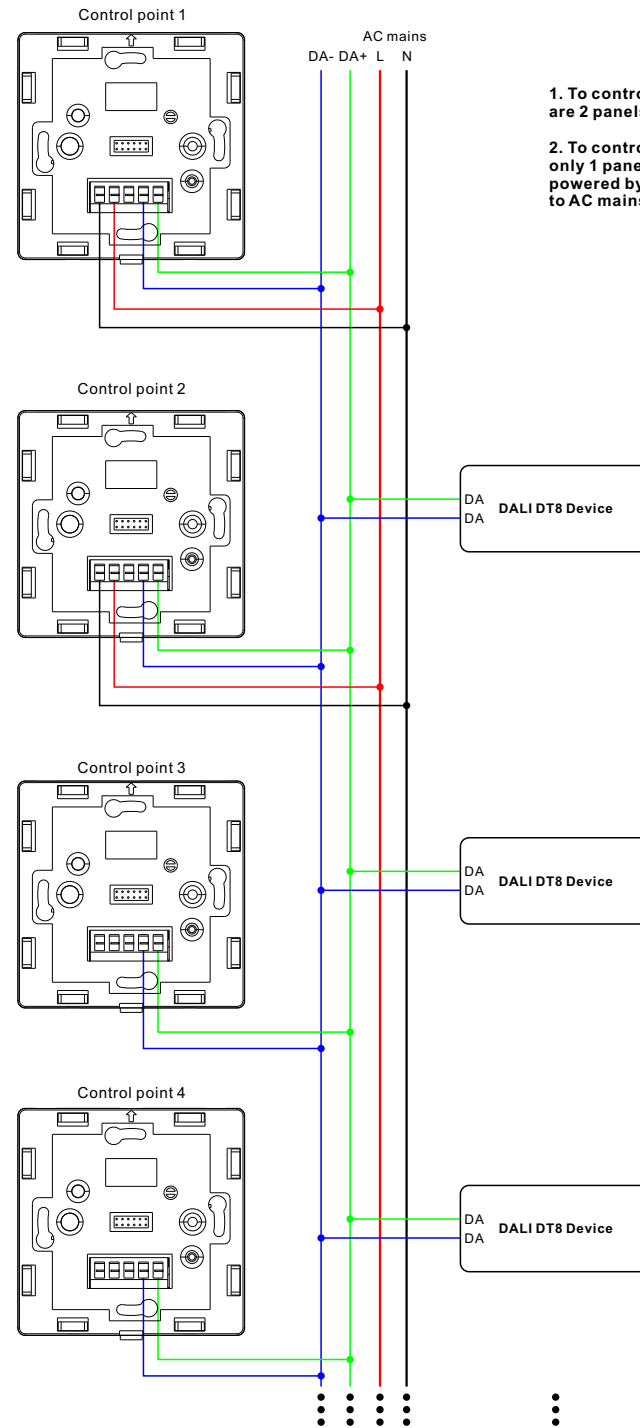


Figure 2: Wiring scheme with 2 DALI panels powered by AC mains to control up to 100 DALI ECG via broadcast or control 1 DALI group.



1. To control up to 100 ECG with the setup (Figure 2), there are 2 panels connected to AC mains.

2. To control up to 50 ECG with the setup (Figure 1), there is only 1 panel connected to AC mains. Other panels are powered by DALI bus. Max. 2 DALI panels can be connected to AC mains in the same control circuit.