

designation	EOLIS 3D WIREFREE RTS - Europe
references	9013809 ; 9013847 ; 9014400
range	Sensors

## FUNCTIONS



The EOLIS 3D WIREFREE RTS is an autonomous sensor (cordless and with batteries). Its technology is based on a **three dimensional acceleration sensor**. This sensor is exclusively dedicated to Terrasse arm awnings (folding arm, semi cassette and cassette)

- **TEMPORISATION**

•Operating mode identical to current Eolis sensor : same frames sent = same behaviour

Temporisations	User mode	Demo Mode
wind appearance(acceleration)	12sec	12 sec
wind disappearance(stop of acceleration)	30 sec / 12 min	15 sec

- **WIND FUNCTIONNING**

The wind is declared present when counter of vibration pass over the threshold:

- 4 times for each level

At this moment, the awning goes up and lock the remote control and sensor orders (no possibilities to go down). Then disappearance of the vibration :

- 30s after , the remote control orders are enable
- 11mn30s after, the automatism (sun) orders are enable

- **THRESHOLD LEVELS ( G – FORCE)**

Levels	0	1	2	3	4	5	6	7	8	9
Corresponding acceleration *		0,15	0,225	0,3	0,375	0,45	0,525	0,6	0,675	0,75

\* = automatic setting

## COMPATIBILITIES AT THE 10/08/06

### Motors :

- OREA (230V/120V) diameter 50 / 60
- ALTUS (230V/120V) diameter 40 / 50 / 60
- LT RTS 2
- LT RTS CSI

### Controls :

- Soliris sensor RTS
- Eolis sensor RTS
- Sunis sensor Wirefree RTS

### Receivers :

- Universal receiver RTS
- Orienta Receiver RTS
- Soliris UNO RTS

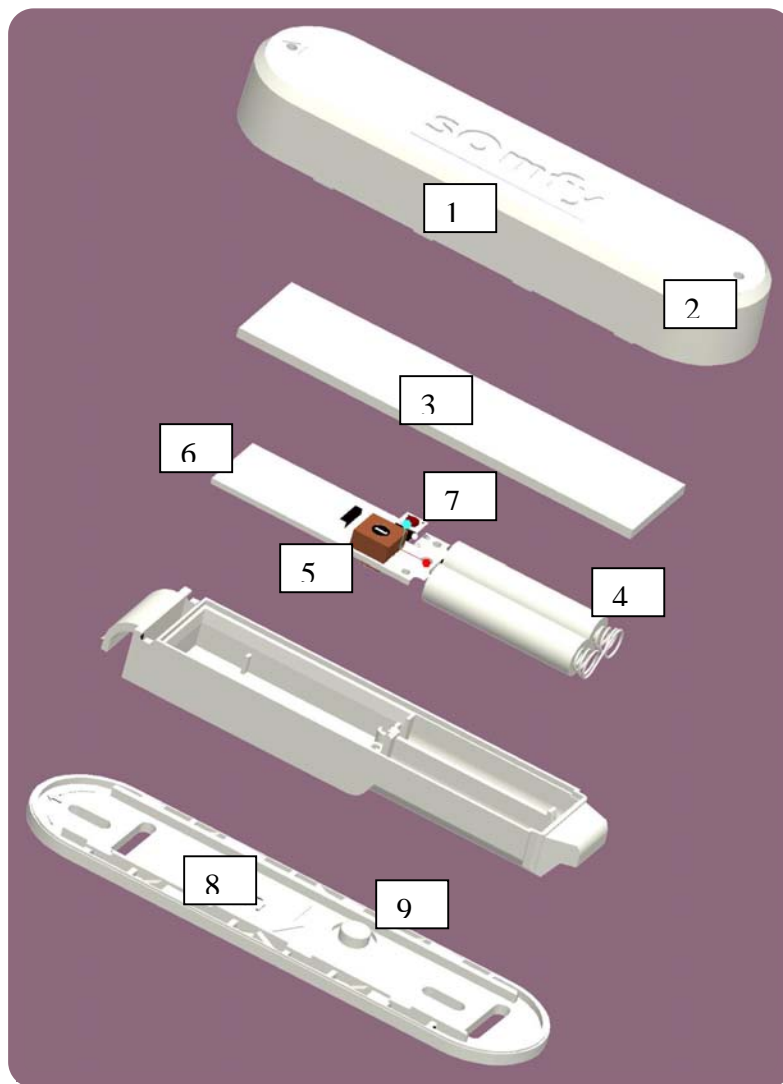
## TECHNICAL SPECIFICATIONS

<b>Box</b>	<b>Material</b>	ABS(UV stabilised) / PP
	<b>Color</b>	Bronzal Ultra light /BlackRAL / Alpine White
	<b>Size</b>	25 X 38 X 153 (h x l x L)
	<b>Protection factor against solid &amp; splash proof</b>	IP 44
<b>Battery</b>	<b>Voltage</b>	2x1.5V
	<b>Type</b>	AAA Alkaline batteries
<b>Battery lifetime (at ambient temperature)</b>		over 5 years (1 actions per day)
<b>Radio characteristics (RTS Protocole):</b>	<b>Frequency</b>	433.42 Mhz +/- 100kHz
	<b>Radiated power</b>	-6 dBm
	<b>Modulation Type</b>	ASK Type A1
	<b>Range in free field</b>	150 m
<b>Standard</b>		EN 60730 EN 301489-3 EN 300220-3
<b>Temperature range</b>	<b>Storing</b>	-30°C / + 80°C
	<b>Working</b>	-20°C / + 60°C
<b>Antenna</b>		Built in
<b>Electro Magnetic compatibility</b>	<b>CEI 1000-4-2</b>	8 kV
	<b>CEI 1000-4-3</b>	lev III
<b>CE Requirements</b>		YES
<b>Weight</b>		90g (including batteries)

## DESCRIPTION / DIMENSION

- 1) LID
- 2) Water evacuation holes
- 3) Waterproof joint
- 4) AAA Alkaline batteries
- 5) Potentiometer:
  - 0: Automatic setting
  - 1-9: predefined setting

- 6) Electronic circuit board  
+ integrated radio antenna
- 7) Programming Button
- 8) Fixing support
- 9) ON/OFF magnet



### Technical characteristics

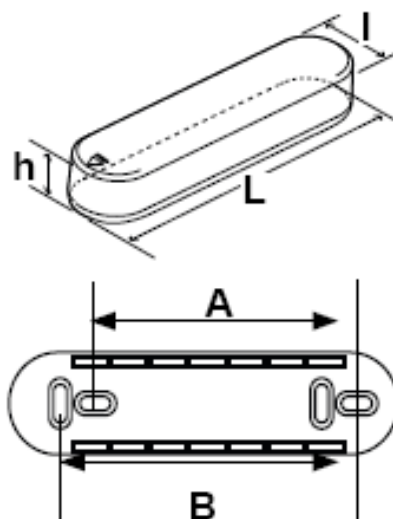
Power supply: 2 AAA alkaline batteries

Size: 25 x 38 x 153 mm (h x l x L)

Space between the oblong:

A = 93,5 mm

B = 120,5 mm



**R&D**  
Name:  
Date:

T.JAIN

**QUALITY**  
Name:  
Date:

G. BRUNEAU

**EDITOR**  
Name:  
Date:

E. GUILLEMOT