

Combination wall mounting socket outlet - with terminals but without wiring



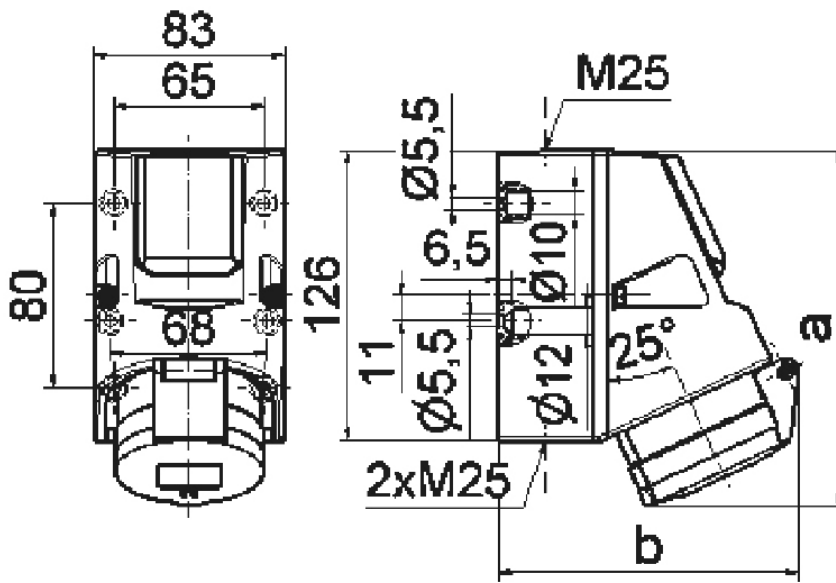
Product description	
BALS-Prd.-Nr	108
EAN	4024941001083
Product category	Combined wall mounting socket outlet
Current	32A
Number of poles	5p
Poles	5p
Position of earth contact	6 h
Voltage	200/346 up to 240/415V

Product description	
Frequency	50 and 60Hz
Protection degree	IP44
Colour code	red RAL 3000
Colour of appliance	Hinged lid of domestic socket is blue RAL 5015, Hinged lid red RAL 3000, Housing bottom grey RAL 7035, Housing top grey RAL 7035, Collar grey RAL 7035
Connection design	with screw terminal
Maximum conductor size	10,0 qmm
Cable entry	M25
Height	157mm
Width	83mm
Depth	134mm
Dimension of enclosure	126x83 mm (HxW)
Material of enclosure	Polyamide
Contact	The contact carrier is made of polyamide, The contacts are brass

Additional technical properties	
	With integrated Schuko-type socket outlet 16A 230V AC German standard

Logistics data	
Weight/pcs	0.465 kg / Piece
Packaging	Bag

Logistics data	
Content amount	1 ST
EAN	4024941001083
Length	134 mm
Width	83 mm
Height	157 mm
Weight	0.466 kg
Volume	1,746.154 ccm
Packaging	Carton
Content amount	10 ST
EAN	4024941949903
Length	330 mm
Width	216 mm
Height	260 mm
Weight	4.876 kg
Volume	17,062.5 ccm



	16A		32A	
	4p	5p	4p	5p
a	154	155	156	157
b	127	130	130	136

1 MB 17