


MURRAY Table luminaire, for E27 LED retrofit lamp, with metallized glass cylinder

Article no. 57427080

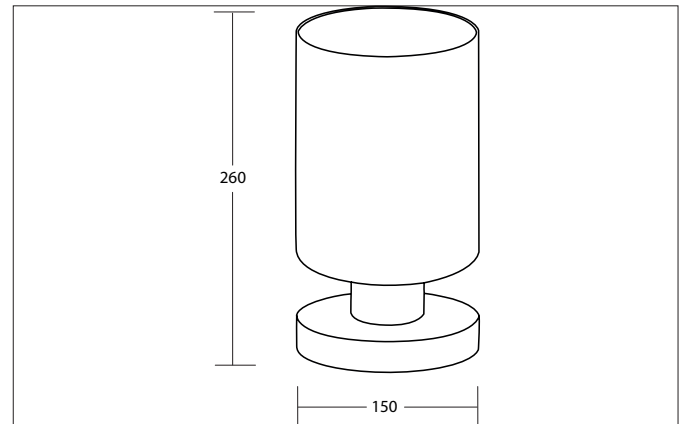

Tender

Table luminaire, for E27 LED retrofit lamp, with metallized glass cylinder, black matt, Round. Compact design for harmonious implementation in well-rounded architectural room concepts. Lamp holder: E27, Mounting method: Surface mounting, Place of installation: Table-mounted, Material: Steel / Glass, Degree of protection: according to DIN EN 60529 IP20, Protection class: (EN 61140) I, Voltage: 230V AC 50Hz, Power: 15 W, Amount of light sources / fittings: 1 piece, Adjustability: Not adjustable, without control gear, Type of dimming: Other.

Article data	
Article no.	57427080
GTIN	4255752510321
Series name	MURRAY
Short description	Table luminaire, for E27 LED retrofit lamp, with metallized glass cylinder
Material	Steel / Glass
Colour	black matt
Type of surface	Matt
Shape	Round
Outer diameter	150 mm
Height	260 mm
Scope of delivery	inkl. ca. 1.700 mm sichtbare, schwarze Zuleitung mit Schnurzwischenhandschalter und Euroflachstecker
Weight	1.475 kg
Conformance	CE, UKCA


**MURRAY Table luminaire, for E27 LED retrofit lamp, with metal-
lized glass cylinder**

Article no. 57427080

Lighting technology	
Light output	Direct
Light sharing	Symmetric
Adjustable color temperature	No

Operating technology of the luminaire	
Voltage type	AC
AC nominal voltage max	230 V
Frequency max	50 Hz
Lamp	For LED-retrofill lamp
Lamp holder	E27
Protection class	I
Degree of protection	IP20
Control	Other
Bulb change possible	Yes
Energy efficiency class	not required

Mounting technology	
Mounting method	Surface mounting
Place of installation	Table-mounted
Adjustability	Not adjustable
Material cover	Without cover
Suitable for through-wiring	No

Packing data	
Gross weight	1.838 kg
Length of packaging	225 mm
Packaging width	225 mm
Packaging height	285 mm
Disposal at end of life	<p>This product must not be disposed of with household waste. You are obliged, to dispose of such electrical waste separately.</p> <p>By disposing of electrical waste and other old or defective electronics separately, you support recycling or other forms of re-use. In that way you help to take care and to avoid that harmful substances get into the environment.</p>