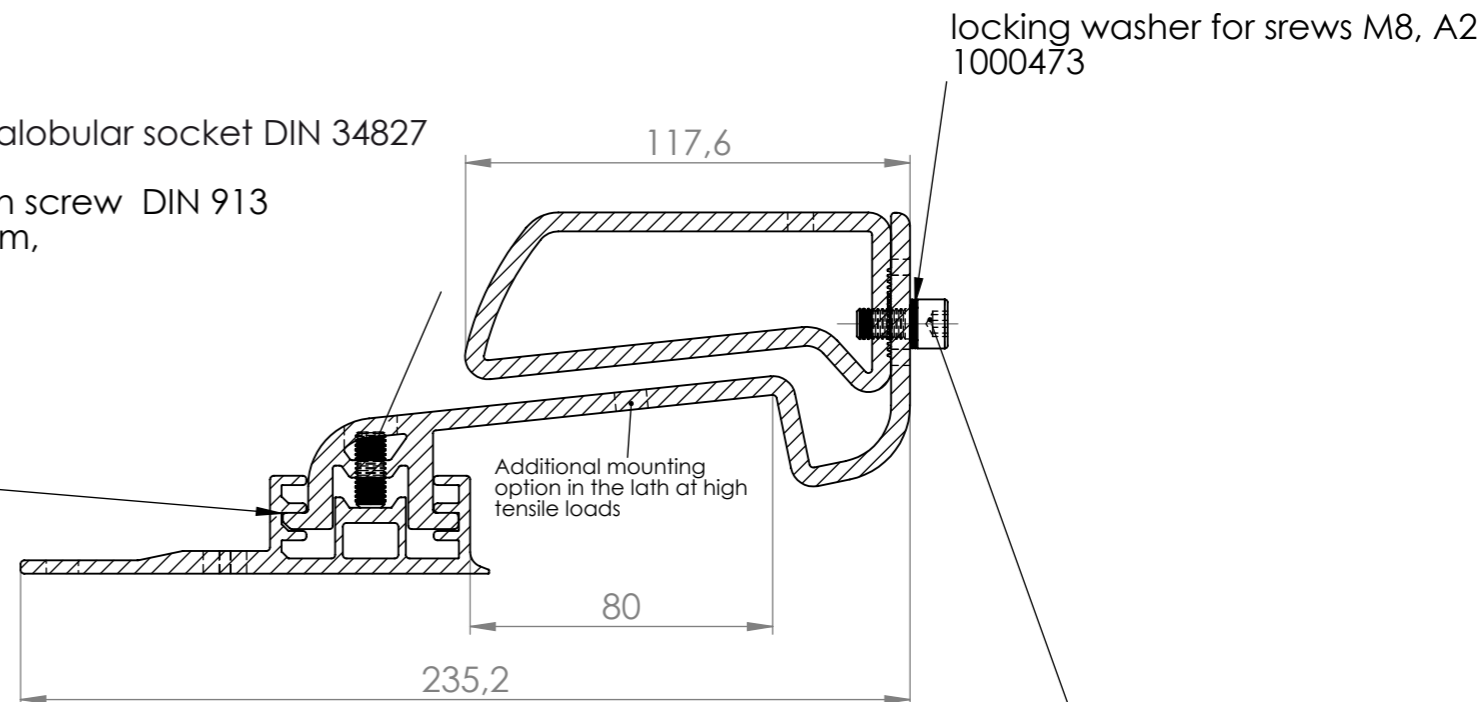
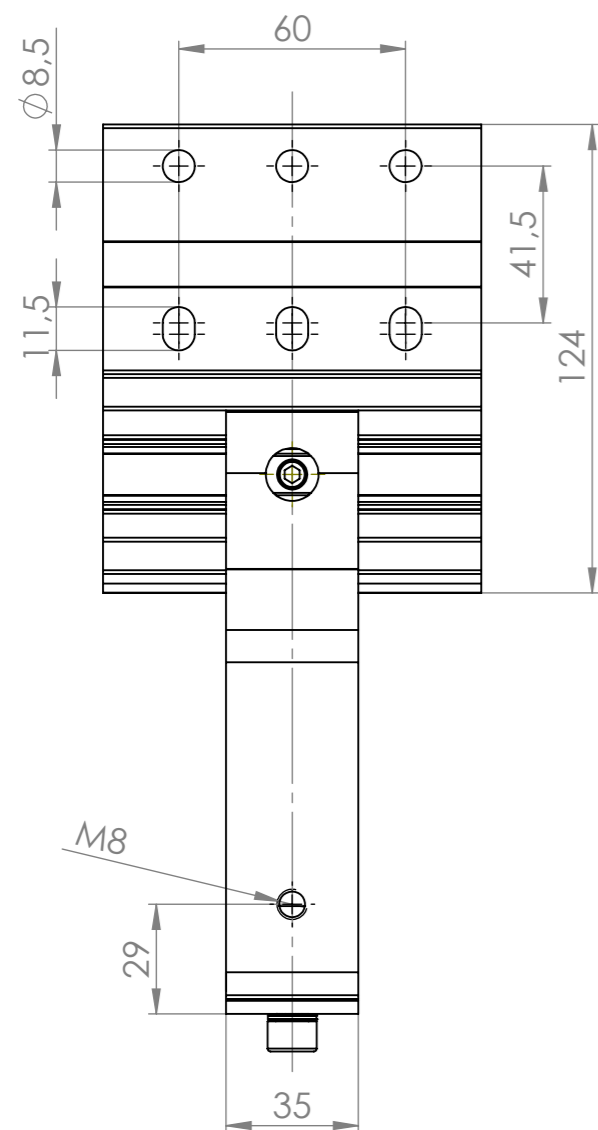


headless screw M8x20, A2 with hexalobular socket DIN 34827  
 in exceptional cases:  
 headless screw M8x20, A2 with allen screw DIN 913  
 tightening torque preassembly: 4Nm,  
 tightening torque assembly: 16Nm

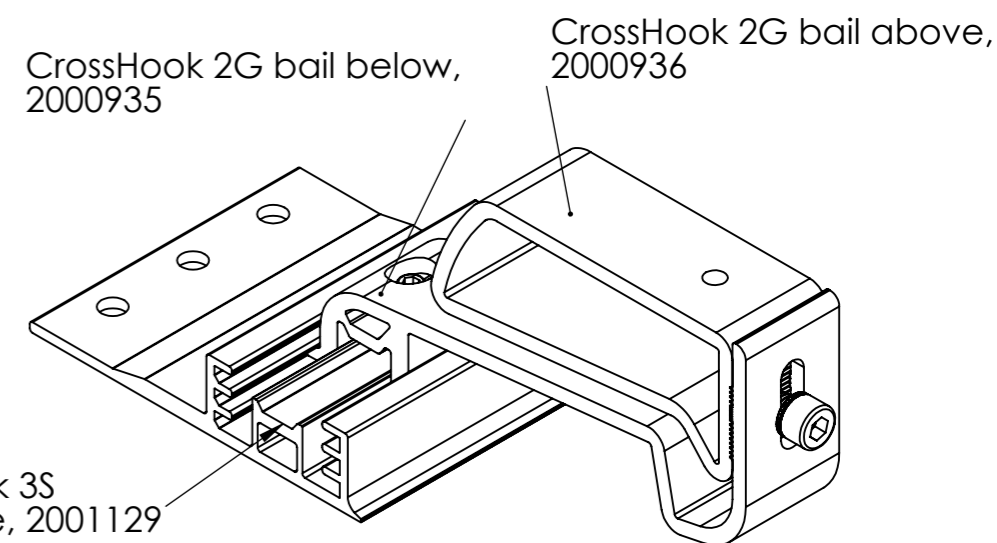
height tunable for 30x40,  
 40x50 und 50x50 mm laths




Hexagon. socket head cap screw DIN 912EN ISO 4762, M8x16, A2,  
 tightening torque preassembly: 4Nm,  
 tightening torque assembly: 16Nm



item no.	name	count
1000473	locking washer for screws M8, A2	1
1000085	Hexagon. socket head cap screw DIN 912EN ISO 4762, M8x16, A2	1
tbd	headless screw M8x20, A2 with hexalobular socket DIN 34827 in exceptional cases: headless screw M8x20, A2 with allen screw DIN 913	1
2001129	CrossHook 3S baseplate	1
2000935	CrossHook 2G bail below	1
2000936	CrossHook 2G bail above	1





K2 Systems GmbH  
 Riedwiesenstr. 13 - 17  
 71229 Leonberg  
 07152/3560-0

Designation:

## Data sheet CrossHook 2G

Item no.: **2000636**

A3

	Name	Date	Material:	Item no.:	
Designed	E.Berger	26.11.2013	EN AW-6063 T66/ A2	2000636	A3
Approved	M.Winterhalter	26.11.2013	Surface: blank	Drawing no.: 02-93-00x	All dimensions in mm
Last change	xxx	xxx	Weight: ca. 520g/ piece	Scale: 1:2	Sheet 1 of 1

This drawing is the sole property of K2 Systems GmbH. It is protected by copyright and may only be copied, reproduced or distributed to a third party with explicit permission!