
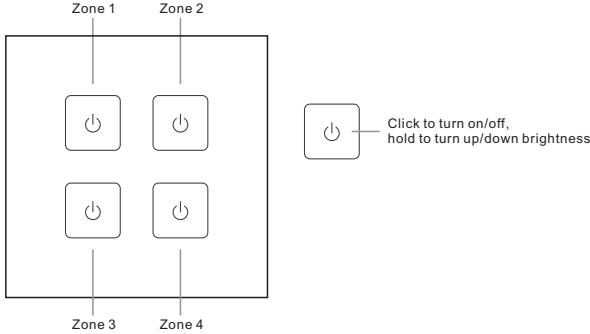
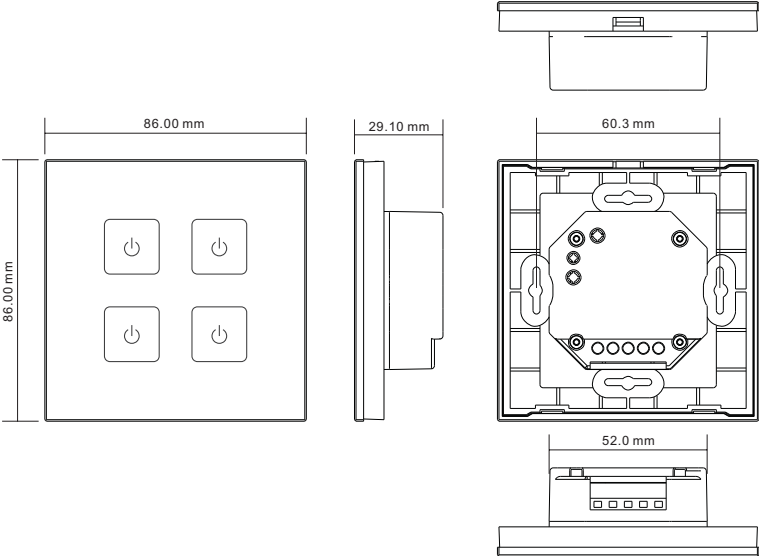


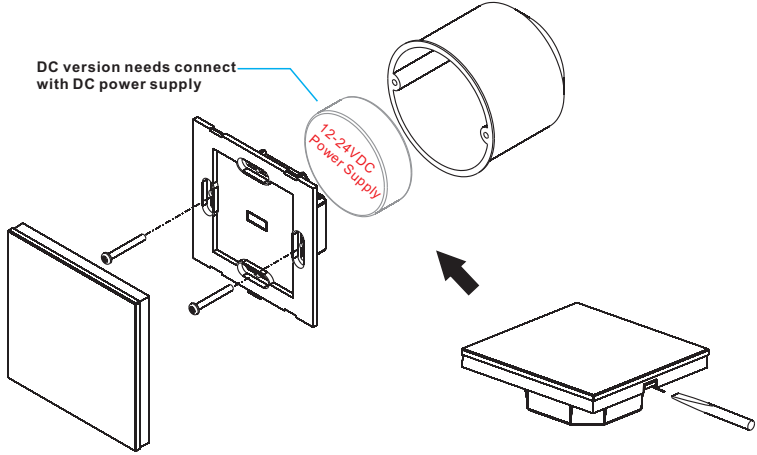
- Touch sensitive
- Glass interface(white & black)
- Compatible with all universal series RF receivers
- Control 4 zones/areas
- Back lighting for finding in the dark

Picture		Brief introduction of buttons	
			
Operation Voltage 12-24V DC/ 100-240V AC	Operation Frequency 868MHz	<p><b>Note : This remote controls 4 zones (areas) receivers, each zone can pair with countless receivers.                  1 receiver can be paired by max 8 different remote controls.</b></p>	

**Size**

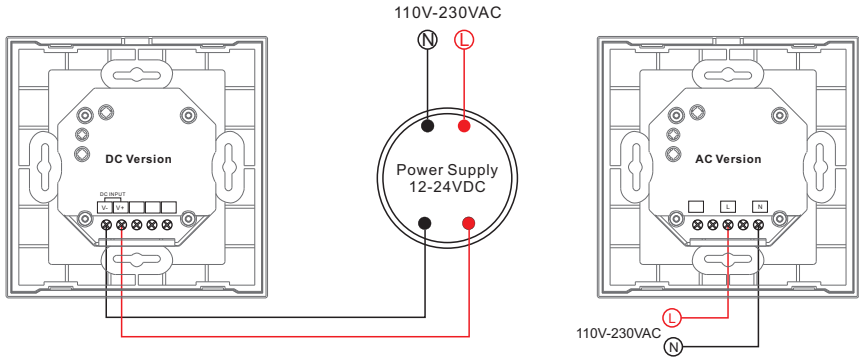


### Installation



DC version needs connect with DC power supply

### Wiring diagram



### Operation

- 1. Pair with RF receivers:**

Click "Learning Key" on RF receiver → Click any key on the remote, led lights flicker twice means well paired
- 2. How to delete the pairing:**

Power on the RF receiver, hold the "Learning Key" over 3 seconds until connected led lights flicker twice means well deleted.