

Wall mounting socket outlet - housing dimensions 260x160



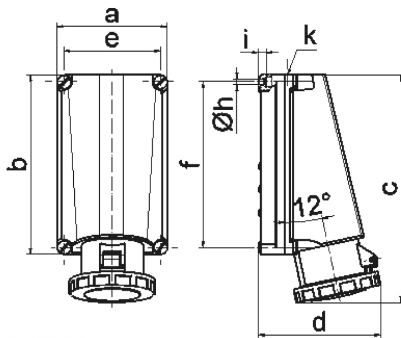
| Product description | |
|---------------------------|-----------------------------|
| BALS-Prd.-Nr | 11447 |
| EAN | 4024941114479 |
| Product category | Wall mounting socket outlet |
| Current | 125A |
| Number of poles | 5p |
| Poles | 3p+N+PE |
| Position of earth contact | 6 h |
| Voltage | 200/346 up to 240/415V |

| Product description | |
|------------------------|--|
| Frequency | 50 and 60Hz |
| Protection degree | IP67 |
| Colour code | red RAL 3000 |
| Colour of appliance | Hinged lid red RAL 3000, Bayonet ring grey RAL 7035, Housing screws grey RAL 7035, Housing bottom grey RAL 7035, Housing top grey RAL 7035 |
| Connection design | screw terminal as box terminal with Kontex-contact |
| Maximum conductor size | 70.0 qmm |
| Cable entry | 1xM50 from above |
| Height | 332mm |
| Width | 160mm |
| Depth | 168mm |
| Dimension of enclosure | 260x160 mm (HxW) |
| Material of enclosure | Polycarbonate |
| Contact | The contact carrier is made of high temperature resistant material, the contacts are brass nickel plated |

| Additional technical properties | |
|---------------------------------|------------------------------------|
| | The cable entry is one at top open |

| Logistics data | |
|----------------|------------------|
| Weight/pcs | 2.085 kg / Piece |
| Packaging | Carton |

| Logistics data | |
|----------------|---------------|
| Content amount | 1 ST |
| EAN | 4024941114479 |
| Length | 440 mm |
| Width | 225 mm |
| Height | 165 mm |
| Weight | 2.313 kg |
| Volume | 13,545 ccm |



1 MB 20

| Ampere Polzahl | 125 3 | 125 4 | 125 5 | | | |
|----------------------------|----------|----------|----------|--|--|--|
| a | 160,0 | 160,0 | 160,0 | | | |
| b | 260,0 | 260,0 | 260,0 | | | |
| c | 330,0 | 330,0 | 330,0 | | | |
| d | 168,0 | 168,0 | 168,0 | | | |
| e | 140,0 | 140,0 | 140,0 | | | |
| f | 240,0 | 240,0 | 240,0 | | | |
| h ø | 8,3 | 8,3 | 8,3 | | | |
| i | 10,0 | 10,0 | 10,0 | | | |
| k | M50 | M50 | M50 | | | |
| Leiter mm ² min | 25 | 25 | 25 | | | |
| Leiter mm ² max | 70 | 70 | 70 | | | |
| | | | | | | |
| | | | | | | |