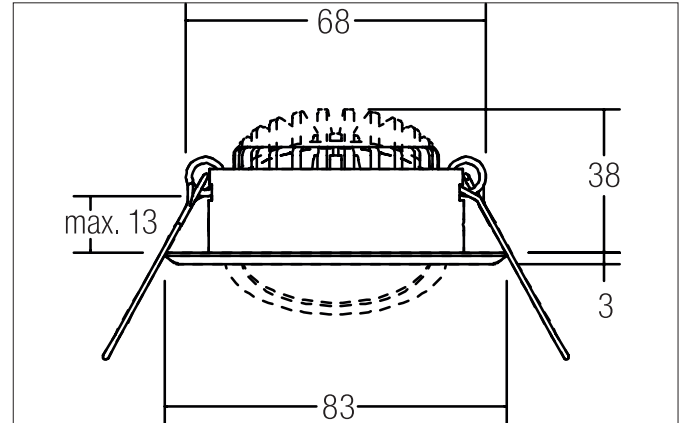


BB09 LED recessed spot set, trailing-edge phase dimmable
 Article no. 39369223

Light.
 For Generations.



Tender
 LED recessed spot set, trailing-edge phase dimmable, Round. Toolless ceiling installation by installation springs. Ceiling cut-out Ø 68 mm, Installation depth 38 mm, Outer diameter 82 mm, Weight 0,157 kg, Reflector silver with rotationssymmetrical, deep, wide distributed light intensity. optimal light distribution due to a plastic, transparent cover. Luminous flux 640 lm, Power 1 x 6 W, System Efficiency 107 lm/W, Light colour warm white, Correlated color temperature (CCT) 3.000 K, Colour rendering index CRI > 80, Housing material: Stainless steel / Aluminium / Plastic, Colour: Stainless steel, Permissible ambient temperature (ta): -20 °C - +25 °C, Protection class (EN 61140): II, Degree of protection (DIN EN 60529): IP20. With electronic driver, Trailing-edge phase dimmable.

| Article data | |
|--------------------|---|
| Article no. | 39369223 |
| GTIN | 4251433917007 |
| Series name | BB09 |
| Short description | LED recessed spot set, trailing-edge phase dimmable |
| Material | Stainless steel / Aluminium / Plastic |
| Colour | Stainless steel |
| Type of surface | Matt |
| Shape | Round |
| Outer diameter | 82 mm |
| Built-in diameter | 68 mm |
| Installation depth | 38 mm |
| Hight | 3 mm |
| Weight | 0.157 kg |

BB09 LED recessed spot set, trailing-edge phase dimmable

Article no. 39369223

Light.
For Generations.

| Lighting technology | |
|---------------------|------------|
| Colour temperature | 3.000 K |
| Light colour | White |
| Light output | Direct |
| Luminous flux | 640 lm |
| System efficiency | 107 lm/W |
| Colour rendering | CRI > 80 |
| Reflector | High-gloss |
| Reflektorfarbe | silver |
| Beam angle | 38° |
| Light sharing | Symmetric |

| Operating technology of the luminaire | |
|---------------------------------------|--------------------|
| Power | 6 W |
| Current | 350 mA |
| Lamp | LED not changeable |
| Protection class | III |

| Operating technology of driver | |
|--------------------------------|---------------------|
| Length | 110 mm |
| Width | 50 mm |
| Hight | 19 mm |
| AC nominal voltage min | 198 V |
| AC nominal voltage max | 264 V |
| Frequenz max. | 50 Hz |
| Dimmable | Yes |
| Control | Trailing-edge phase |
| Starting current | 1A (15,2 µs) |
| Power min | 2.8 W |
| Power | 7 W |
| Current | 350 mA |
| Degree of protection | IP20 |
| Protection class | II |
| Flickerfrei | Yes |

| Mounting technology | |
|-----------------------------|---|
| Mounting method | Recessed mounting |
| Place of installation | Ceiling-mounted |
| Adjustability | Pivoted |
| Swivel angle | 25° |
| Max. ceiling thickness | 13 mm |
| Further references | No cover with thermal insulation material |
| Material cover | Plastic, transparent |
| Suitable for through-wiring | Yes, with optional accessories |

| Packing data | |
|-------------------------|---|
| Gross weight | 0.189 kg |
| Length of packaging | 95 mm |
| Packaging width | 75 mm |
| Packaging hight | 95 mm |
| Disposal at end of life | This product must not be disposed of with household waste. You are obliged, to dispose of such electrical waste separately. By disposing of electrical waste and other old or defective electronics separately, you support recycling or other forms of re-use. In that way you help to take care and to avoid that harmful substances get into the environment. |