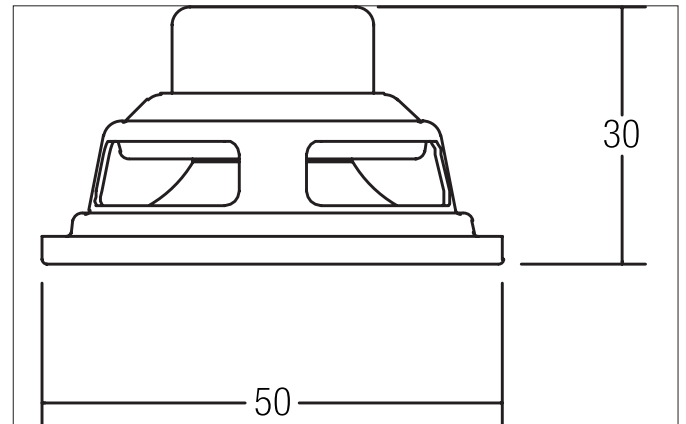
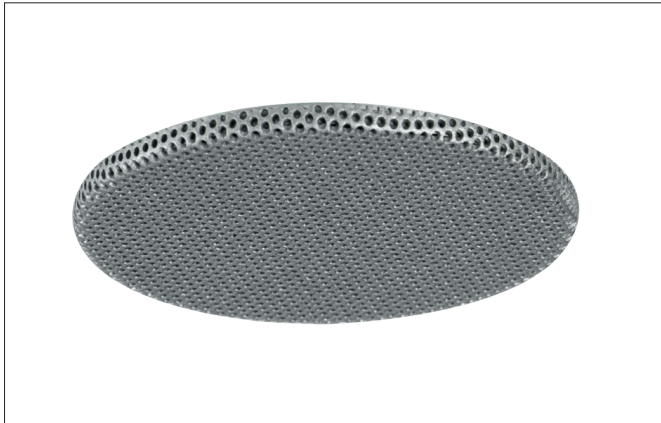


NONAH Speaker insert Ø 50 mm  
Article no. 3096.02

Light.  
For Generations.



IP20

#### Tender

Speaker insert Ø 50 mm, chrome, Round. In a compact design, for installation in tool-less rapid assembly systems. Nominal / music load capacity: 3 / 4 W, impedance: 20 Ohm. Up to 5 speakers can be connected in parallel to a channel of a Hifi amplifier. Sound pressure level: 1 W / 1 m: 82 dB (at nominal output of 87 dB), Transmission range (-3 db): 200 - 16,000 Hz, Transmission range (-10 db): 150 - 20,000 Hz, Model: Perforated plate cover in white (.07) or chrome-metal-plated (.02), Net weight: 0.06 kg. Connection using 2-core cable with connecting terminals. Usable in most LV halogen spots for QR-CBC51. Material: Steel Mounting method: Recessed mounting, Place of installation: Ceiling-mounted, Material: Perforated plate, Degree of protection: according to DIN EN 60529 IP20.

| Article data       |                        |
|--------------------|------------------------|
| Article no.        | 3096.02                |
| GTIN               | 4250047738695          |
| Series name        | NONAH                  |
| Short description  | Speaker insert Ø 50 mm |
| Material           | Perforated plate       |
| Colour             | White                  |
| Type of surface    | Glossy                 |
| Shape              | Round                  |
| Outer diameter     | 50 mm                  |
| Installation depth | 30 mm                  |
| Height             | 30 mm                  |
| Weight             | 0.048 kg               |

NONAH Speaker insert Ø 50 mm  
Article no. 3096.02

Light.  
For Generations.

| Packing data            |  |
|-------------------------|--|
| Gross weight            | 0.075 kg   |
| Length of packaging     | 70 mm  |
| Packaging width         | 47 mm  |
| Packaging height        | 81 mm  |
| Disposal at end of life | <p>This product must not be disposed of with household waste. You are obliged, to dispose of such electrical waste separately.</p> <p>By disposing of electrical waste and other old or defective electronics separately, you support recycling or other forms of re-use. In that way you help to take care and to avoid that harmful substances get into the environment.</p> |