

Domestic connector - with hinged lid and child protection, System E Belgian/French standard



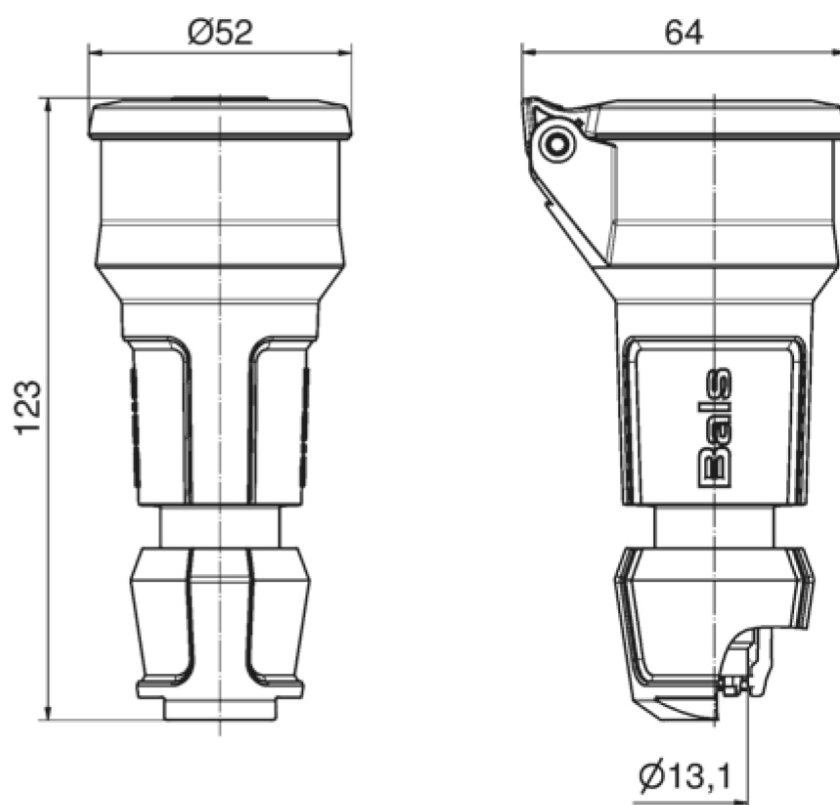
| Product description | |
|---------------------|--------------------------|
| BALS-Prd.-Nr | 749209 |
| EAN | 4024941854078 |
| Product category | Domestic connector |
| Current | 16A |
| Number of poles | 3p |
| Poles | 2P+PE |
| Voltage | 250V |
| Frequency | alternating current (AC) |

| Product description | |
|------------------------|--|
| Protection degree | IP54 |
| Colour code | black RAL 9005 |
| Colour of appliance | Collar black RAL 9005, Hinged lid black RAL 9005, Housing cover black RAL 9005, Cable gland black RAL 9005 |
| Connection design | head-screw terminal |
| Maximum conductor size | 4,0 qmm |
| Cable entry | Cable gland |
| Height | 123mm |
| Width | 52mm |
| Depth | 64mm |
| Material of enclosure | Polyamide |
| Contact | The contact carrier is made of polyamide, the contacts are brass nickel plated |

| Additional technical properties | |
|---------------------------------|---|
| | With increased contact protection (shutter) |
| | Multi-Grip cable gland with gasket and integrated strain relief |
| | With self-closing hinged lid |

| Logistics data | |
|----------------|------------------|
| Weight/pcs | 0.099 kg / Piece |
| Packaging | Bag |

| Logistics data | |
|----------------|---------------|
| Content amount | 1 ST |
| EAN | 4024941854078 |
| Length | 64 mm |
| Width | 52 mm |
| Height | 123 mm |
| Weight | 0.1 kg |
| Volume | 409.344 ccm |
| Packaging | Carton |
| Content amount | 20 ST |
| EAN | 4024941324786 |
| Length | 245 mm |
| Width | 177 mm |
| Height | 185 mm |
| Weight | 2.113 kg |
| Volume | 7,140 ccm |



18 MB 120