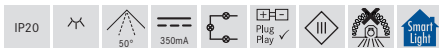
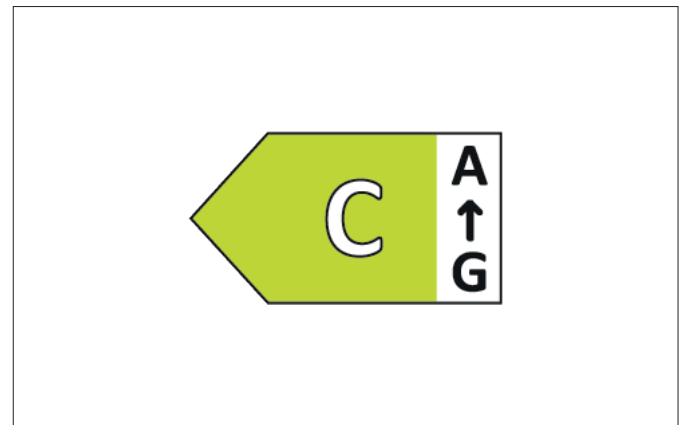
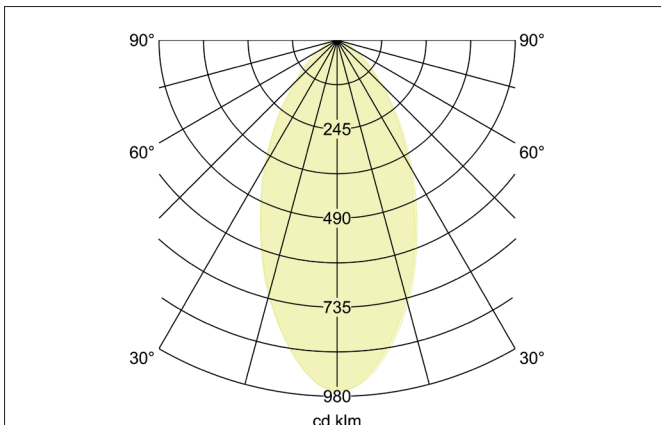
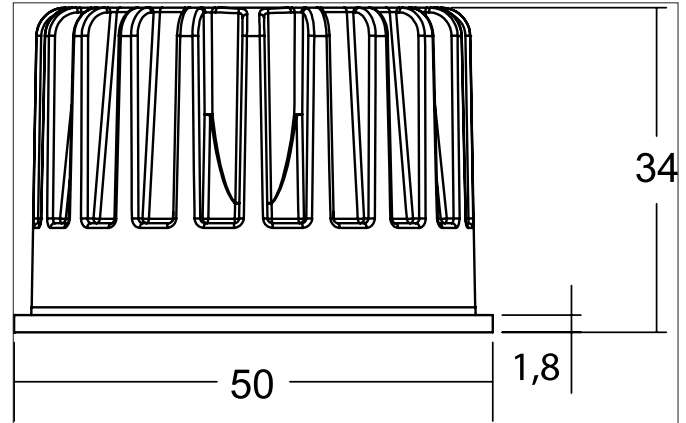




**ROTI LED insert MR16 with lens optics, 3CCT (2,700 K / 3,000 K / 4,000 K), 6.3 W, 350 mA**  
Article no. 12929503



**Tender**  
LED insert MR16 with lens optics, 3CCT (2,700 K / 3,000 K / 4,000 K), 6.3 W, 350 mA, black / aluminum matt, Round. Lamp holder: Plug&Play, Material: Aluminium / PMMA, Degree of protection: according to DIN EN 60529 IP20, Protection class: (EN 61140) III, Power: 6,3 W, Amount of light sources / fittings: 1 piece, Luminous flux: from 950 lm up to 1.023 lm, Colour temperature: from 2.700 K up to 4.000 K, Light colour: white, Beam angle: 50°, without control gear, Dimmable: Depending on type of control gear, Type of dimming: Depending on driver.

**Product Benefits**

- One LED module with three different color temperatures in the package.
- Adjustable on site (ensure voltage-free state before changeover).
- Minimizes storage space and stock levels and maximizes the free adjustability and the ability to adjust the color temperature immediately color temperature from e.g. 2,700 K to 3,000 K or 4,000 K.
- Eligible complete sets consisting of LED module, converter switchable, trailing edge or DALI dimmable - with and without connection box.
- Ideal conversion sets for old systems, for example, and ideal for use e.g. in the M1 modular system.

Farbtemperatur	Lichtstrom
2.700 K	950 lm
3.000 K	971 lm
4.000 K	1.023 lm


**ROTI LED insert MR16 with lens optics, 3CCT (2,700 K / 3,000 K / 4,000 K), 6.3 W, 350 mA**

Article no. 12929503

Article data	
Article no.	12929503
GTIN	4255752509844
Series name	ROTI
Short description	LED insert MR16 with lens optics, 3CCT (2,700 K / 3,000 K / 4,000 K), 6.3 W, 350 mA
Material	Aluminium / PMMA
Colour	black / aluminum matt
Shape	Round
Outer diameter	50 mm
Height	34 mm
Weight	0.09 kg
Conformance	CE, UKCA

Lighting technology	
Colour temperature	2.700 K / 3.000 K / 4.000 K
Light colour	white
Color Temperature 1	2,700 K
Color Temperature 2	3,000 K
Color Temperature 3	4,000 K
Luminous flux	950 - 1,023 lm
Luminous flux 1	950 lm
Luminous flux 2	971 lm
Luminous flux 3	1,023 lm
McAdam-Step	McAdam-Step 3
Colour rendering	CRI > 80
Reflector	High-gloss
Beam angle	50°
Light sharing	Symmetric
Adjustable color temperature	Stages

Operating technology of the luminaire	
Voltage type	DC
Current	350 mA
Lamp	LED
Lamp holder	Plug&Play
Protection class	III
Degree of protection	IP20
Dimmable	Depending on type of control gear
Control	Depending on driver
Bulb change possible	The light source of this luminaire may only be replaced by the manufacturer or a service technician commissioned by him or a similarly qualified person.
Rated life time L80/B10 at 25 °C	50.000 h
Energy efficiency class	C

Packing data	
Gross weight	0.115 kg
Length of packaging	55 mm
Packaging width	55 mm
Packaging height	60 mm
Disposal at end of life	This product must not be disposed of with household waste. You are obliged, to dispose of such electrical waste separately. By disposing of electrical waste and other old or defective electronics separately, you support recycling or other forms of re-use. In that way you help to take care and to avoid that harmful substances get into the environment.


**ROTI LED insert MR16 with lens optics, 3CCT (2,700 K / 3,000 K / 4,000 K), 6.3 W, 350 mA**

Article no. 12929503

Required accessories
Article no.: 17662000 LED converter 350 mA, on/off switchable Power: 1 - 7,2 W, Plug&Play Dimensions: 68 mm x 35 mm x 21 mm <a href="https://www.brumberg.com/fileadmin/products/Datenblatt_17662000_2021_DE.pdf">https://www.brumberg.com/fileadmin/products/Datenblatt_17662000_2021_DE.pdf</a>
Article no.: 17662020 LED converter 350 mA, on/off switchable Power: 1 - 7,2 W, Plug&Play + Anschlussbox Dimensions: 35 mm x 21 mm <a href="https://www.brumberg.com/fileadmin/products/Datenblatt_17662020_2021_DE.pdf">https://www.brumberg.com/fileadmin/products/Datenblatt_17662020_2021_DE.pdf</a>
Article no.: 17613000 LED converter 350 mA, on/off switchable Power: 1 - 15 W, Plug&Play Dimensions: 115 mm x 34 mm x 19 mm <a href="https://www.brumberg.com/fileadmin/products/Datenblatt_17613000_2021_DE.pdf">https://www.brumberg.com/fileadmin/products/Datenblatt_17613000_2021_DE.pdf</a>
Article no.: 17613020 LED converter 350 mA, on/off switchable Power: 1 - 15 W, Plug&Play + Anschlussbox Dimensions: 115 mm x 34 mm x 19 mm <a href="https://www.brumberg.com/fileadmin/products/Datenblatt_17613020_2021_DE.pdf">https://www.brumberg.com/fileadmin/products/Datenblatt_17613020_2021_DE.pdf</a>
Article no.: 17621000 LED converter 350 mA, on/off switchable Power: 1 - 21 W, Plug&Play Dimensions: 128 mm x 50 mm x 13 mm <a href="https://www.brumberg.com/fileadmin/products/Datenblatt_17621000_2021_DE.pdf">https://www.brumberg.com/fileadmin/products/Datenblatt_17621000_2021_DE.pdf</a>
Article no.: 17621020 LED converter 350 mA, on/off switchable Power: 1 - 21 W, Plug&Play + Anschlussbox Dimensions: 128 mm x 50 mm x 13 mm <a href="https://www.brumberg.com/fileadmin/products/Datenblatt_17621020_2021_DE.pdf">https://www.brumberg.com/fileadmin/products/Datenblatt_17621020_2021_DE.pdf</a>
Article no.: 17663000 LED converter 350 mA, trailing-edge phase dimmable Power: 2,8 - 7 W, Plug&Play Dimensions: 110 mm x 50 mm x 19 mm <a href="https://www.brumberg.com/fileadmin/products/Datenblatt_17663000_2021_DE.pdf">https://www.brumberg.com/fileadmin/products/Datenblatt_17663000_2021_DE.pdf</a>
Article no.: 17663020 LED converter 350 mA, trailing-edge phase dimmable Power: 2,8 - 7 W, Plug&Play + Anschlussbox Dimensions: 110 mm x 50 mm x 19 mm <a href="https://www.brumberg.com/fileadmin/products/Datenblatt_17663020_2021_DE.pdf">https://www.brumberg.com/fileadmin/products/Datenblatt_17663020_2021_DE.pdf</a>
Article no.: 17652000 LED-round converter 350 mA, trailing-edge phase dimmer Power: 4,9 - 7 W, Plug&Play Dimensions: 51 mm x 24 mm <a href="https://www.brumberg.com/fileadmin/products/Datenblatt_17652000_2021_DE.pdf">https://www.brumberg.com/fileadmin/products/Datenblatt_17652000_2021_DE.pdf</a>
Article no.: 17652020 LED-round converter 350 mA, trailing-edge phase dimmer Power: 4,9 - 7 W, Plug&Play + Anschlussbox Dimensions: 51 mm x 24 mm <a href="https://www.brumberg.com/fileadmin/products/Datenblatt_17652020_2021_DE.pdf">https://www.brumberg.com/fileadmin/products/Datenblatt_17652020_2021_DE.pdf</a>


**ROTI LED insert MR16 with lens optics, 3CCT (2,700 K / 3,000 K / 4,000 K), 6.3 W, 350 mA**

Article no. 12929503

Required accessories
Article no.: 17640000 LED converter 350 mA, trailing-edge phase dimmable Power: 4,2 - 10 W, Plug&Play Dimensions: 102 mm x 38 mm x 21 mm <a href="https://www.brumberg.com/fileadmin/products/Datenblatt_17640000_2021_DE.pdf">https://www.brumberg.com/fileadmin/products/Datenblatt_17640000_2021_DE.pdf</a>
Article no.: 17640020 LED converter 350 mA, trailing-edge phase dimmable Power: 4,2 - 10 W, Plug&Play + Anschlussbox Dimensions: 102 mm x 38 mm x 21 mm <a href="https://www.brumberg.com/fileadmin/products/Datenblatt_17640020_2021_DE.pdf">https://www.brumberg.com/fileadmin/products/Datenblatt_17640020_2021_DE.pdf</a>
Article no.: 17648000 LED converter 350 mA, trailing-edge phase dimmable Power: 0,7 - 17 W, Plug&Play Dimensions: 166 mm x 46 mm x 34 mm <a href="https://www.brumberg.com/fileadmin/products/Datenblatt_17648000_2021_DE.pdf">https://www.brumberg.com/fileadmin/products/Datenblatt_17648000_2021_DE.pdf</a>
Article no.: 17648020 LED converter 350 mA, trailing-edge phase dimmable Power: 0,7 - 17 W, Plug&Play + Anschlussbox Dimensions: 166 mm x 46 mm x 34 mm <a href="https://www.brumberg.com/fileadmin/products/Datenblatt_17648020_2021_DE.pdf">https://www.brumberg.com/fileadmin/products/Datenblatt_17648020_2021_DE.pdf</a>
Article no.: 17657000 LED converter 350 mA, 1-10 V dimmable (analog) Power: 5,2 - 18 W, Plug&Play Dimensions: 110 mm x 52 mm x 22 mm <a href="https://www.brumberg.com/fileadmin/products/Datenblatt_17657000_2021_DE.pdf">https://www.brumberg.com/fileadmin/products/Datenblatt_17657000_2021_DE.pdf</a>
Article no.: 17684000 LED converter 350 mA, DALI dimmable (digital) Power: 2,8 - 7 W, Plug&Play Dimensions: 130 mm x 42 mm x 22 mm <a href="https://www.brumberg.com/fileadmin/products/Datenblatt_17684000_2021_DE.pdf">https://www.brumberg.com/fileadmin/products/Datenblatt_17684000_2021_DE.pdf</a>
Article no.: 17684020 LED converter 350 mA, DALI dimmable (digital) Power: 2,8 - 7 W, Plug&Play + Anschlussbox Dimensions: 130 mm x 42 mm x 22 mm <a href="https://www.brumberg.com/fileadmin/products/Datenblatt_17684020_2021_DE.pdf">https://www.brumberg.com/fileadmin/products/Datenblatt_17684020_2021_DE.pdf</a>
Article no.: 17658000 LED round converter 350 mA, DALI dimmable (digital) Power: 2,1 - 9 W, Plug&Play Dimensions: 56 mm x 25 mm <a href="https://www.brumberg.com/fileadmin/products/Datenblatt_17658000_2021_DE.pdf">https://www.brumberg.com/fileadmin/products/Datenblatt_17658000_2021_DE.pdf</a>
Article no.: 17658020 LED round converter 350 mA, DALI dimmable (digital) Power: 2,1 - 9 W, Plug&Play + Anschlussbox Dimensions: 56 mm x 25 mm <a href="https://www.brumberg.com/fileadmin/products/Datenblatt_17658020_2021_DE.pdf">https://www.brumberg.com/fileadmin/products/Datenblatt_17658020_2021_DE.pdf</a>
Article no.: 17683000 LED converter 350 mA, DALI dimmable (digital) Power: 3,5 - 17 W, Plug&Play Dimensions: 110.5 mm x 52 mm x 22 mm <a href="https://www.brumberg.com/fileadmin/products/Datenblatt_17683000_2021_DE.pdf">https://www.brumberg.com/fileadmin/products/Datenblatt_17683000_2021_DE.pdf</a>



**ROTI LED insert MR16 with lens optics, 3CCT (2,700 K / 3,000 K / 4,000 K), 6.3 W, 350 mA**  
Article no. 12929503

**Required accessories**

Article no.: 17683020

LED converter 350 mA, DALI dimmable (digital)

Power: 3,5 - 17 W, Plug&amp;Play + Anschlussbox

Dimensions: 110.5 mm x 52 mm x 22 mm

[https://www.brumberg.com/fileadmin/products/Datenblatt\\_17683020\\_2021\\_DE.pdf](https://www.brumberg.com/fileadmin/products/Datenblatt_17683020_2021_DE.pdf)

Article no.: 17682000

LED converter 350 mA, DALI dimmable (digital)

Power: 1,8 - 18,5 W, Plug&amp;Play

Dimensions: 146.5 mm x 43.5 mm x 22 mm

[https://www.brumberg.com/fileadmin/products/Datenblatt\\_17682000\\_2021\\_DE.pdf](https://www.brumberg.com/fileadmin/products/Datenblatt_17682000_2021_DE.pdf)

Article no.: 17682020

LED converter 350 mA, DALI dimmable (digital)

Power: 1,8 - 18,5 W, Plug&amp;Play + Anschlussbox

Dimensions: 146.5 mm x 43.5 mm x 22 mm

[https://www.brumberg.com/fileadmin/products/Datenblatt\\_17682020\\_2021\\_DE.pdf](https://www.brumberg.com/fileadmin/products/Datenblatt_17682020_2021_DE.pdf)

Article no.: 17671000

LED converter 350mA, ZigBee dimmable

Power: 3,5 - 18,5 W, Plug&amp;Play

Dimensions: 146.5 mm x 44 mm x 30 mm

[https://www.brumberg.com/fileadmin/products/Datenblatt\\_17671000\\_2021\\_DE.pdf](https://www.brumberg.com/fileadmin/products/Datenblatt_17671000_2021_DE.pdf)

Article no.: 17671020

LED converter 350mA, ZigBee dimmable

Power: 3,5 - 18,5 W, Plug&amp;Play + Anschlussbox

Dimensions: 146.5 mm x 44 mm x 30 mm

[https://www.brumberg.com/fileadmin/products/Datenblatt\\_17671020\\_2021\\_DE.pdf](https://www.brumberg.com/fileadmin/products/Datenblatt_17671020_2021_DE.pdf)

Article no.: 17672000

LED converter 350mA, Casambi dimmable

Power: 3,5 - 18,5 W, Plug&amp;Play

Dimensions: 146.5 mm x 44 mm x 30 mm

[https://www.brumberg.com/fileadmin/products/Datenblatt\\_17672000\\_2021\\_DE.pdf](https://www.brumberg.com/fileadmin/products/Datenblatt_17672000_2021_DE.pdf)

Article no.: 17672020

LED converter 350mA, Casambi dimmable

Power: 3,5 - 18,5 W, Plug&amp;Play + Anschlussbox

Dimensions: 146.5 mm x 44 mm x 30 mm

[https://www.brumberg.com/fileadmin/products/Datenblatt\\_17672020\\_2021\\_DE.pdf](https://www.brumberg.com/fileadmin/products/Datenblatt_17672020_2021_DE.pdf)