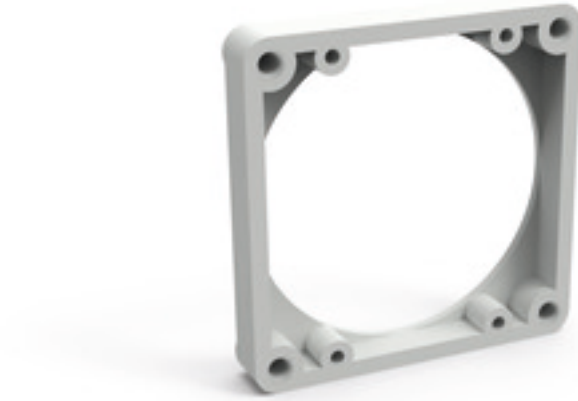


Accessories sockets - 60x60



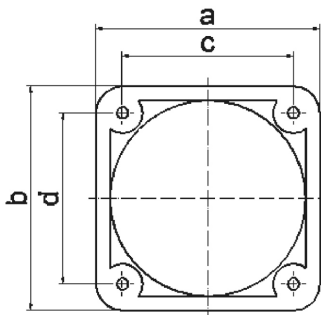
Product description	
BALS-Prd.-Nr	187
EAN	4024941001878
Product category	Mounting frame
Colour code	gray RAL 7035
Height	70mm
Width	70mm
Depth	12mm
Flange size vertical	70mm
Flange size horizontal	70mm

Product description	
Drill hole distance vertical	60mm
Drill hole distance horizontal	60mm
Material of enclosure	Polyamide

Additional technical properties	
	Flush-mounted box for surface-mounted sockets with a drill hole spacing of 60x60 mm

Logistics data	
Weight/pcs	0.014 kg / Piece
Packaging	Bag
Content amount	1 ST
EAN	4024941001878
Length	12 mm
Width	70 mm
Height	70 mm
Weight	0.015 kg
Volume	58.8 ccm
Packaging	Carton
Content amount	100 ST
EAN	4024941326988
Length	275 mm

Logistics data	
Width	175 mm
Height	137 mm
Weight	1.525 kg
Volume	5,737.5 ccm



a	b	c	d	e	Bestell-Nr.
50	50	38	38	13	1843
54	54	44	44	10	1847
57	66	47	47	10	1848
60	60	50	50	10	1849
62	62	52	52	10	1850
62	70	52	60	10	1851

30 MB 182