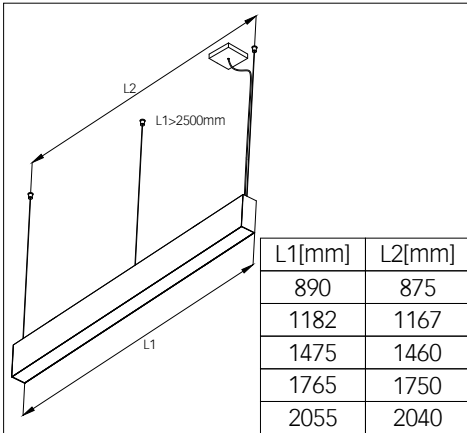


lightnet

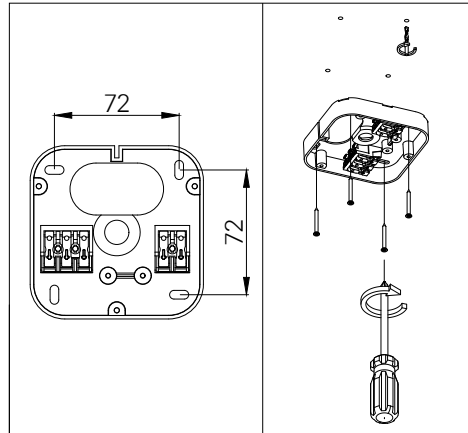
MATRIC G5 | SYSTEM 81MM SUSPENDED

Lightnet GmbH
 Zollstockgürtel 65
 50969 Köln / Germany
 Tel.: +49 (0) 221 22 25 26-0
 E-Mail: info@lightnet.de
 www.lightnet.de

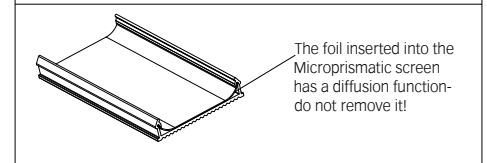
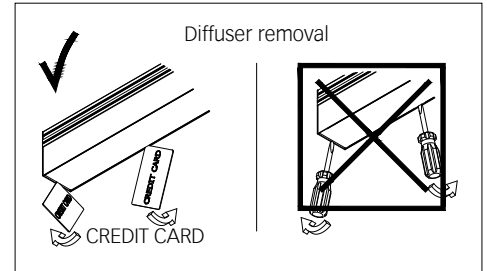
1. MONTAGE UND INSTALLATION | MOUNTING AND INSTALLATION:



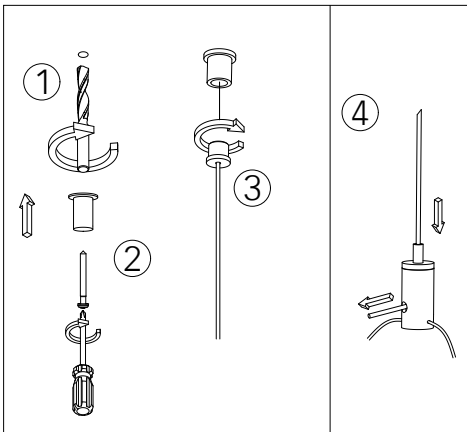
1. Bei allen Montagearbeiten Handschuhe tragen.
 Use gloves when handling the fixture.



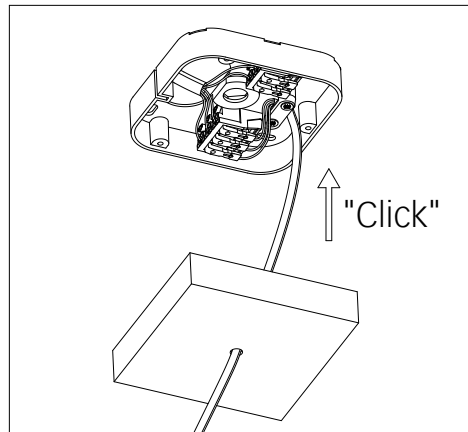
2. Montageöffnungen.
 Installation openings.



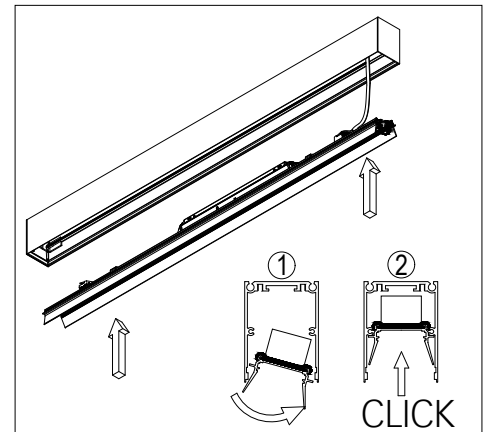
3. All LED gear trays are numbered and the numbering starts from the cable entry side. In non-standard luminaires the numbering of LED gear trays is made in accordance with technical drawings.
 Avoid touching the strip - connectors because they can break off under excess handling.



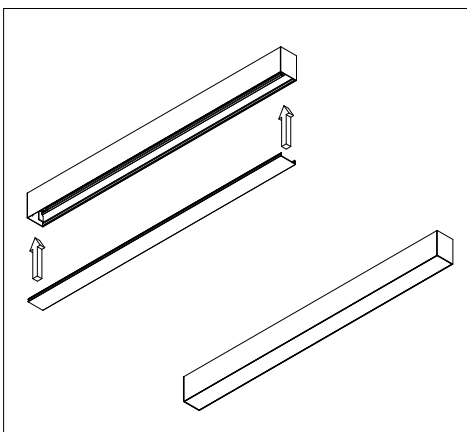
4.



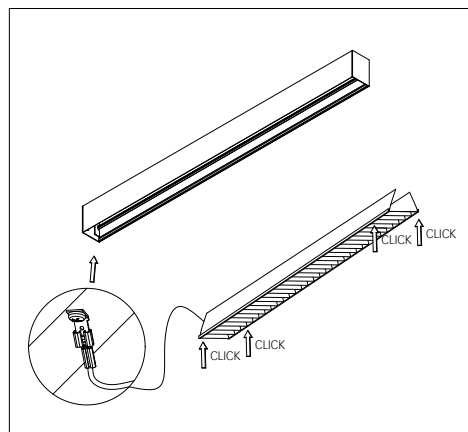
5.
 - min/max stripped wire length: 7mm-10mm
 - max power supply cable: 1,5mm²



6.



7.



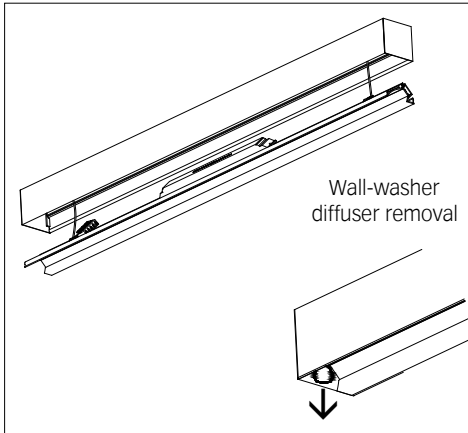
8. Louvre installation.

IMPORTANT:
 -all sections must be suspended individually and perfectly levelled (horizontally and vertically) before connecting them together - this is crucial
 -all suspension cords must be positioned perfectly vertical
 -all suspension cords must be tensioned with the same strength
 -if these conditions are not satisfied then the different parts will settle to different levels and work against one another.

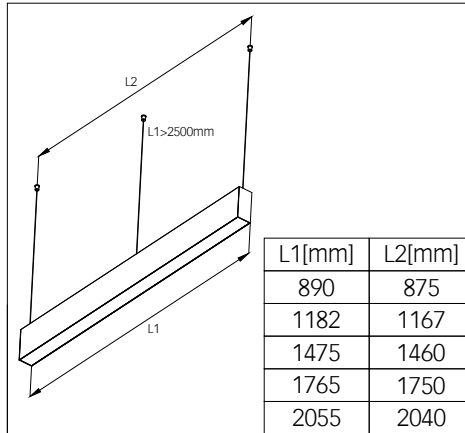
9.

MATRIC G5 | SYSTEM 81MM SUSPENDED WALLWASHER

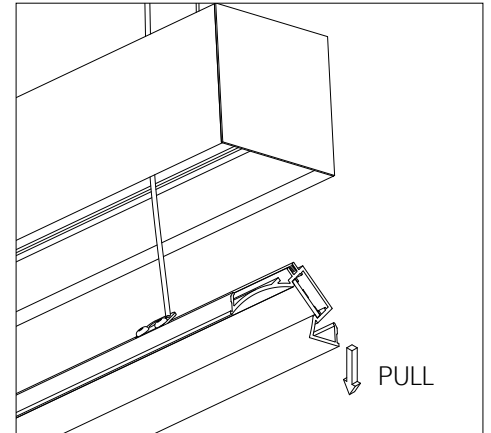
1. MONTAGE UND INSTALLATION | MOUNTING AND INSTALLATION:



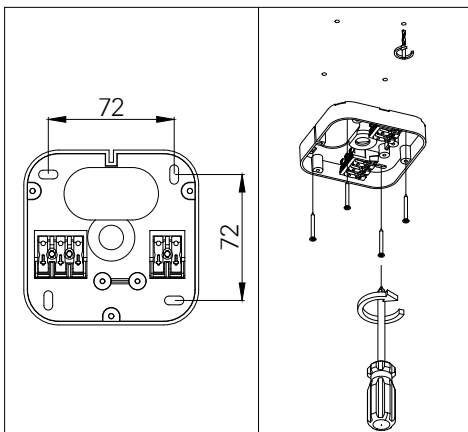
1. Bei allen Montagearbeiten Handschuhe tragen.
 Use gloves when handling the fixture.



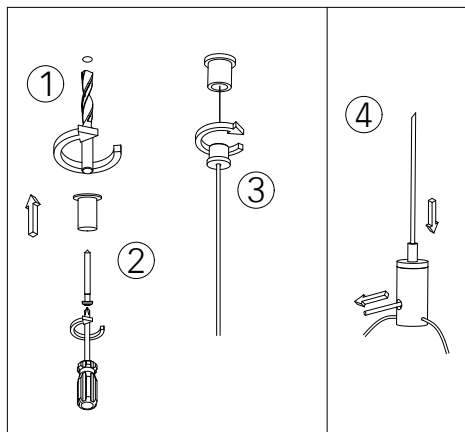
2. Montageöffnungen.
 Installation openings.



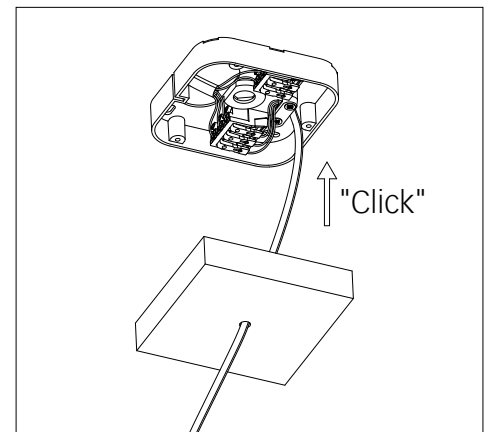
3. Diffuser removal.



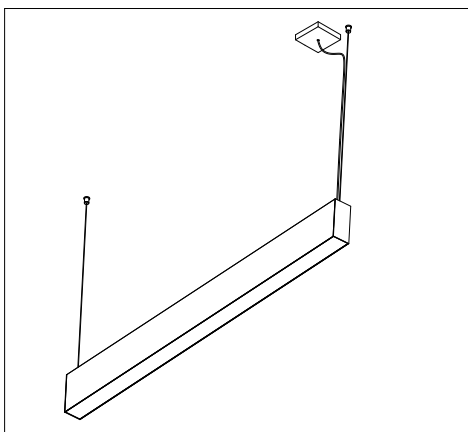
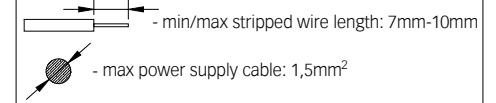
4.



5.



6.



7.

IMPORTANT:

- all sections must be suspended individually and perfectly levelled (horizontally and vertically) before connecting them together - this is crucial
- all suspension cords must be positioned perfectly vertical
- all suspension cords must be tensioned with the same strength
- if these conditions are not satisfied then the different parts will settle to different levels and work against one another.

8.