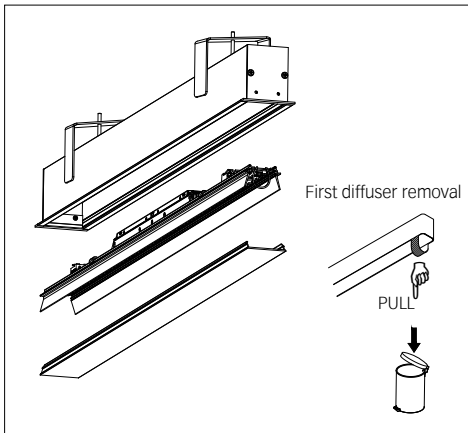
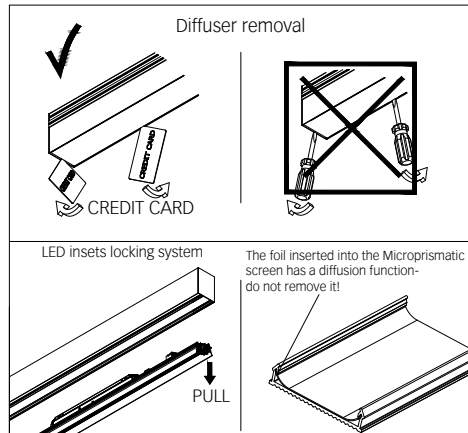


MATRIC F5 | SYSTEM 81MM RECESSED FRAME

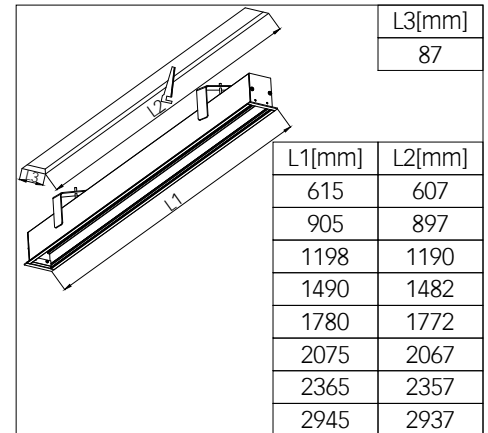
1. MONTAGE UND INSTALLATION | MOUNTING AND INSTALLATION:



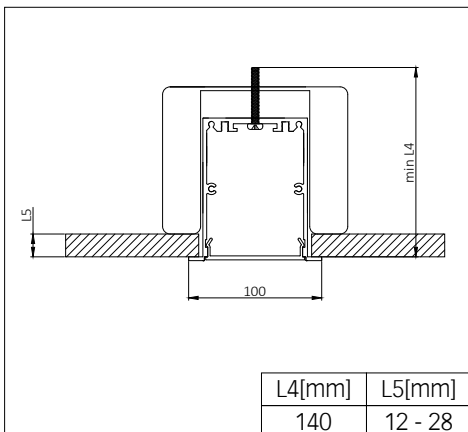
1. Bei allen Montagearbeiten Handschuhe tragen.
 Use gloves when handling the fixture.



2. All LED gear trays are numbered and the numbering starts from the cable entry side. In non-standard luminaires the numbering of LED gear trays is made in accordance with technical drawings.
 Avoid touching the strip - connectors because they can break off under excess handling.

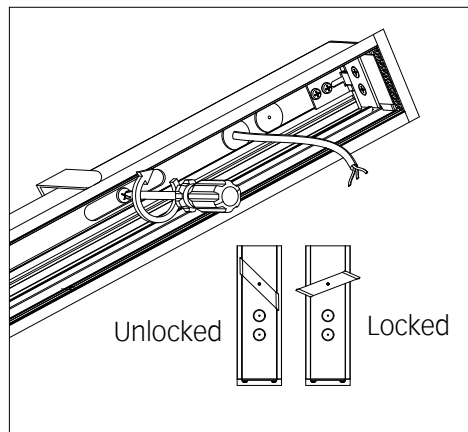


3.

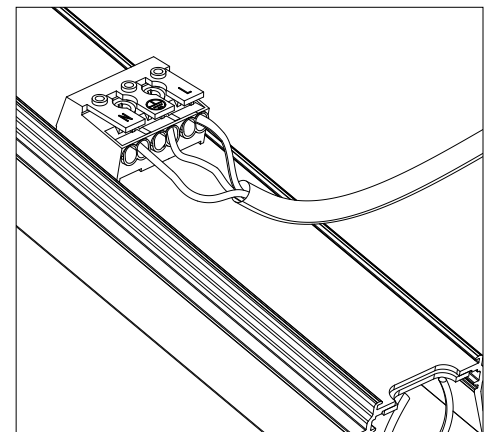
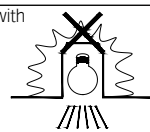


L4[mm]	L5[mm]
140	12 - 28

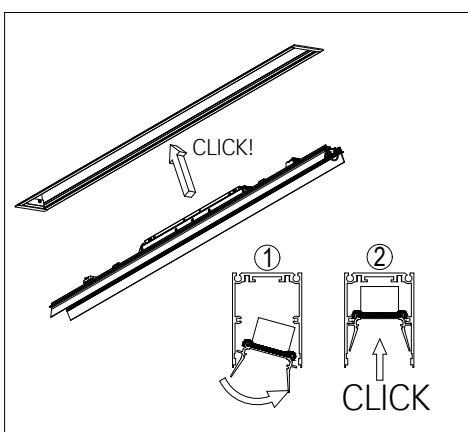
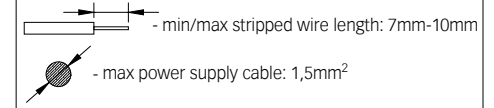
4.



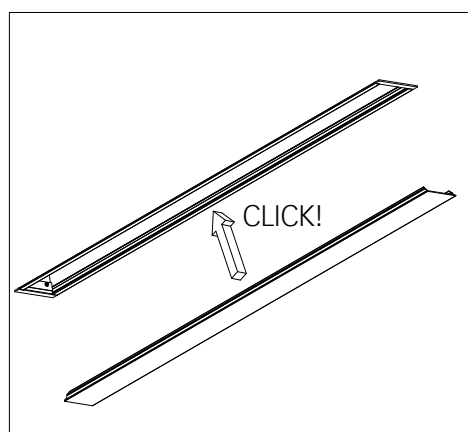
5. Luminaire not suitable for covering with thermally insulating material.



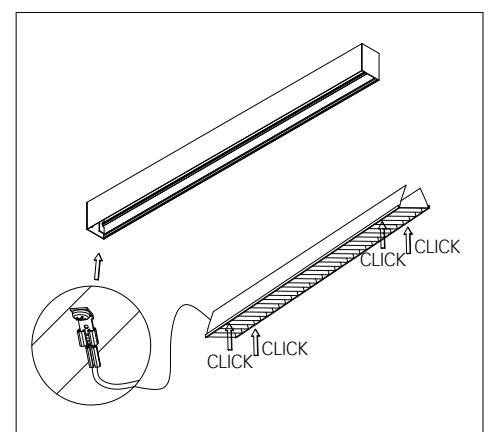
6.



7.



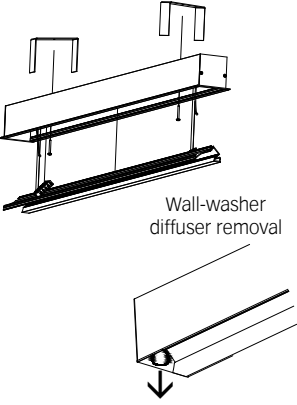
8.



9. Maximum current load allowed for through-wiring is 13A.
 Non-user replaceable light source.

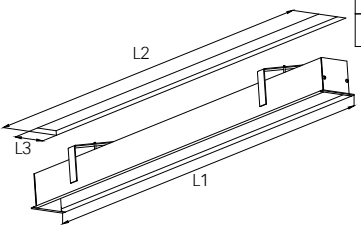
MATRIC F5 | SYSTEM 81MM RECESSED FRAME WALLWASHER

1. MONTAGE UND INSTALLATION | MOUNTING AND INSTALLATION:



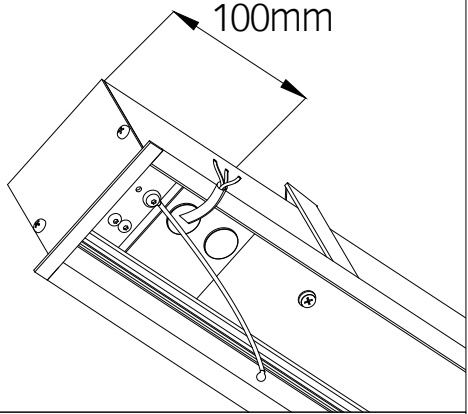
Wall-washer
diffuser removal

1. Bei allen Montagearbeiten Handschuhe tragen.
 Use gloves when handling the fixture.

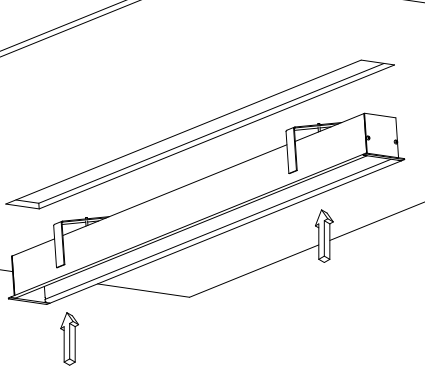


		L3[mm]	
		87	
L1[mm]	L2[mm]	L1[mm]	L2[mm]
615	607	1780	1772
905	897	2075	2067
1198	1190	2365	2357
1490	1482	2945	2937


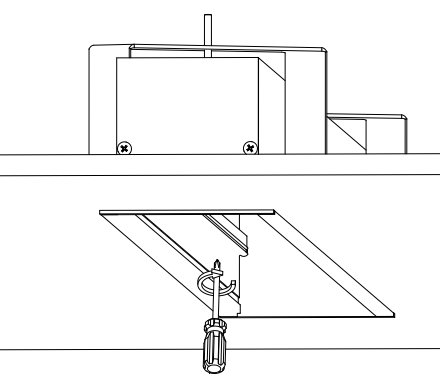
2.



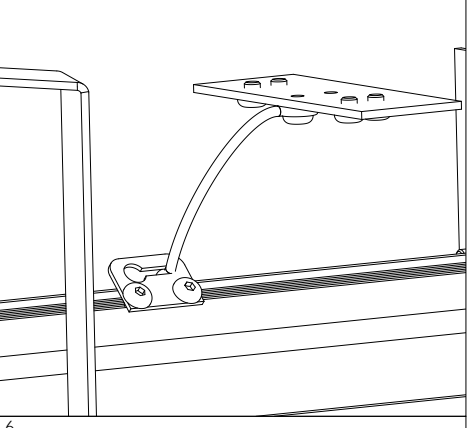
3.



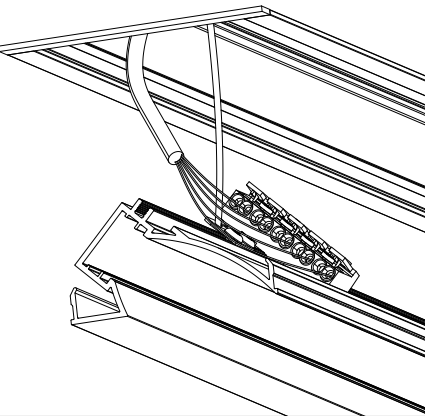
4. Luminaire not suitable for covering with thermally insulating material.

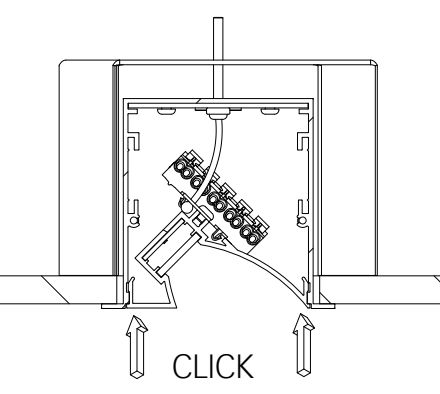
5.



6.



7.



8. Maximum current load allowed for through-wiring is 13A.
 Non-user replaceable light source.

The light source contained in this luminaire shall only be replaced by the manufacturer or his service agent or a similar qualified person.