

Connector - with screwless terminals, for harsh applications



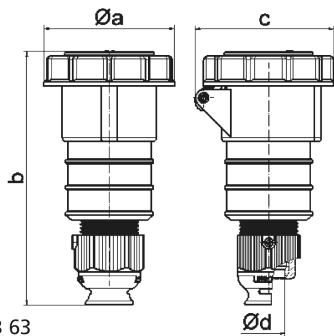
Product description	
BALS-Prd.-Nr	31301
EAN	4024941313018
Product category	Connector QUICK-CONNECT TE
Current	16A
Number of poles	4p
Poles	3P+PE
Position of earth contact	4 h
Voltage	100 up to 130V

Product description	
Frequency	50 and 60Hz
Protection degree	IP67
Colour code	yellow RAL 1012
Colour of appliance	Hinged lid yellow RAL 1012, Enclosure yellow RAL 1012, Bayonet ring grey RAL 7035, Cable gland grey RAL 7035
Connection design	screwless spring terminals as cage clamp with Kontex-contact
Maximum conductor size	2,5 qmm
Cable entry	Cable gland
Height	160mm
Width	79mm
Depth	84mm
Material of enclosure	Polyamide
Contact	The contact carrier is made of high temperature resistant material, the contacts are brass nickel plated

Additional technical properties	
	For cable diameter from 8 up to max. 18 mm, Multi-Grip cable gland with gasket, integrated cable clamp and additional water evacuation openings

Logistics data	
Weight/pcs	0.205 kg / Piece
Packaging	Bag

Logistics data	
Content amount	1 ST
EAN	4024941313018
Length	84 mm
Width	79 mm
Height	160 mm
Weight	0.206 kg
Volume	1,061.76 ccm
Packaging	Carton
Content amount	10 ST
EAN	4024941835060
Length	258 mm
Width	183 mm
Height	212 mm
Weight	2.202 kg
Volume	8,750 ccm



3 MB 63

Ampere	16	16	16	32	32	32
Polzahl	3	4	5	3	4	5
a ø	70,5	78,0	86,5	94,0	94,0	101,5
b	161,0	161,0	168,0	196,0	196,0	200,0
c	77,0	83,0	93,0	99,0	99,0	107,0
d ø	18,0	18,0	21,0	23,0	23,0	27,0
Leiter mm ² min	1	1	1	2,5	2,5	2,5
Leiter mm ² max	2,5	2,5	2,5	6	6	6