

Wall mounting socket outlet - housing dimensions 170x118



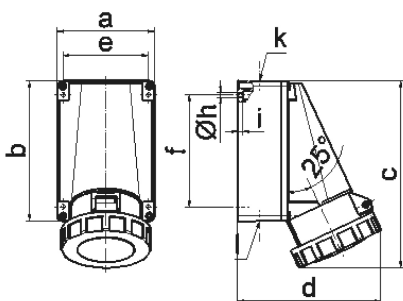
| Product description | |
|---------------------------|-----------------------------|
| BALS-Prd.-Nr | 1160 |
| EAN | 4024941011600 |
| Product category | Wall mounting socket outlet |
| Current | 63A |
| Number of poles | 4p |
| Poles | 3P+PE |
| Position of earth contact | 9 h |
| Voltage | 200 up to 250V |

| Product description | |
|------------------------|---|
| Frequency | 50 and 60Hz |
| Protection degree | IP67 |
| Colour code | blue RAL 5015 |
| Colour of appliance | Hinged lid blue RAL 5015, Bayonet ring grey RAL 7035, Housing bottom grey RAL 7035, Housing top grey RAL 7035 |
| Connection design | screw terminal as box terminal with Kontex-contact |
| Maximum conductor size | 25.0 qmm |
| Cable entry | top entry M40 bottom entry M32 |
| Height | 228mm |
| Width | 118mm |
| Depth | 176mm |
| Dimension of enclosure | 170x118 mm (HxW) |
| Material of enclosure | Polycarbonate |
| Contact | The contact carrier is made of high temperature resistant material, the contacts are brass nickel plated |

| Additional technical properties | |
|---------------------------------|---|
| | The cable entry is one at top open and two at bottom closed |
| | Lower part of housing rotatable by 180° |

| Logistics data | |
|----------------|-----------------|
| Weight/pcs | 0.83 kg / Piece |

| Logistics data | |
|----------------|---------------|
| Packaging | Bag |
| Content amount | 1 ST |
| EAN | 4024941011600 |
| Length | 176 mm |
| Width | 118 mm |
| Height | 228 mm |
| Weight | 0.831 kg |
| Volume | 4,735.104 ccm |
| Packaging | Carton |
| Content amount | 5 ST |
| EAN | 4024941963985 |
| Length | 345 mm |
| Width | 345 mm |
| Height | 217 mm |
| Weight | 4.485 kg |
| Volume | 24,276 ccm |



1 MB 3

| Ampere Polzahl | 63 3 | 63 4 | 63 5 | | | | |
|----------------------------|---------|---------|---------|--|--|--|--|
| a | 118,0 | 118,0 | 118,0 | | | | |
| b | 170,0 | 170,0 | 170,0 | | | | |
| c | 228,0 | 228,0 | 228,0 | | | | |
| d | 176,0 | 176,0 | 176,0 | | | | |
| e | 104,0 | 104,0 | 104,0 | | | | |
| f | 136,0 | 136,0 | 136,0 | | | | |
| h ø | 6,1 | 6,1 | 6,1 | | | | |
| i | 6,0 | 6,0 | 6,0 | | | | |
| k | M40 | M40 | M40 | | | | |
| l | M32/32 | M32/32 | M32/32 | | | | |
| Leiter mm ² min | 6 | 6 | 6 | | | | |
| Leiter mm ² max | 25 | 25 | 25 | | | | |