

1

2

3

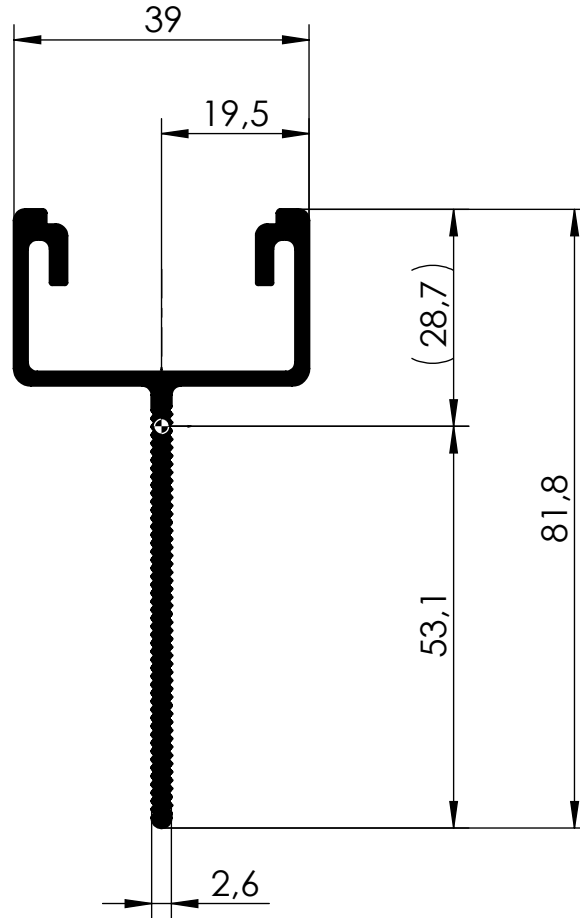
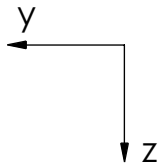
4

A

B

C

D



Characteristics for calculation:

$$A = 3,04 \text{ cm}^2$$

$$I_y = 14,55 \text{ cm}^4$$

$$I_z = 4,78 \text{ cm}^4$$

$$W_y = 2,62 \text{ cm}^3$$

$$W_z = 2,45 \text{ cm}^3$$

F



K2 Systems GmbH
Industriestr. 18
71272 Renningen
Germany
+49 7159 42059-0

Designation:

Data sheet
K2 FacadeRail
per meter

	Name	Date	Material:	Item no.:	2000148	A4
Designed	E. Markou	09.02.2023	EN AW 6063 T66			
Approved	A. Soumpalas	06.03.2023	Surface: mill finish	Drawing no.:	14-000-01	All dimensions in mm
Last change	E. Markou	06.03.2023	Weight: ca. 914.9 g/m	Scale: 1:1		Sheet 1 of 1

This drawing is the sole property of K2 Systems GmbH. It is protected by copyright and may only be copied, reproduced or distributed to a third party with explicit permission!