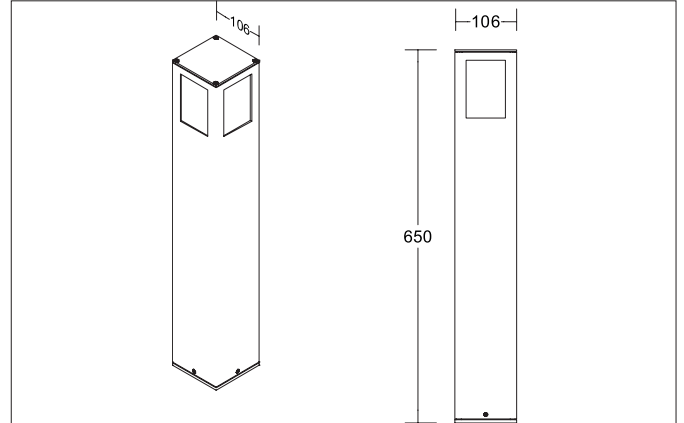


KORRA LED bollard luminaire, IP54
 Article no. 65192103

Tender

LED bollard luminaire, IP54, Rectangular. Luminaire length 106.0 mm, Luminaire width 106.0 mm, Hight 650.0 mm Weight 2.425 kg, with rotationssymmetrical, deep, wide distributed light intensity. Cover glass transparent. Luminous flux 250 lm, Power 1 x 7 W, Light colour warm white to warm white, Correlated color temprature (CCT) 3.000 - 3.000 K, Colour rendering index CRI > 80, Housing material: Aluminium / Glass / Plastic, Colour: Graphite structure, Permissible ambient temperature (ta): -20 °C - +25 °C, Protection class (EN 61140): I, Degree of protection (DIN EN 60529): IP54. With electronic driver, on/off switchable.

Article data	
Article no.	65192103
GTIN	4251433982944
Series name	KORRA
Short description	LED bollard luminaire, IP54
Material	Aluminium / Glass / Plastic
Colour	Graphite
Type of surface	Structure
Shape	Rectangular
Length	106 mm
Width	106 mm
Hight	650 mm
Scope of delivery	incl. converter for connection to 230 V mains voltage, switchable
Weight	2.425 kg
Conformance	CE, UKCA

KORRA LED bollard luminaire, IP54

Article no. 65192103

Lighting technology	
Colour temperature	3.000 K
Light colour	White
Light output	Direct
Luminous flux	250 lm
System efficiency	36 lm/W
McAdam-Step	McAdam-Step 3
Colour rendering	CRI > 80
Beam angle	312°
Light sharing	Symmetric
Adjustable color temperature	No

Operating technology of the luminaire	
System output	7 W
Voltage type	AC
AC nominal voltage max	230 V
Frequency max	50 Hz
Frequency min	50 Hz
Lamp	LED
Lamp holder	Without fitting
Protection class	I
Degree of protection	IP54
Control	on/off
Bulb change possible	The light source of this luminaire may only be replaced by the manufacturer or a service technician commissioned by him or a similarly qualified person.

Mounting technology	
Mounting method	Surface mounting
Place of installation	Floor-mounted
Adjustability	Not adjustable
Further references	Outdoor
Material cover	Glass transparent
Suitable for through-wiring	No

Packing data	
Gross weight	3.385 kg
Length of packaging	300 mm
Packaging width	300 mm
Packaging height	800 mm
Disposal at end of life	This product must not be disposed of with household waste. You are obliged, to dispose of such electrical waste separately. By disposing of electrical waste and other old or defective electronics separately, you support recycling or other forms of re-use. In that way you help to take care and to avoid that harmful substances get into the environment.