

## Connector - with screwless terminals, for harsh applications

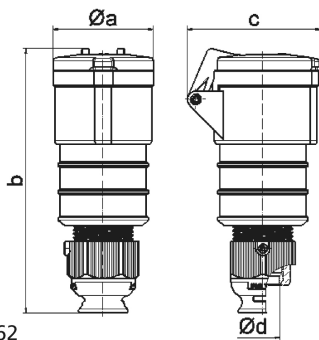


Product description	
BALS-Prd.-Nr	310628
EAN	4024941947947
product category (PG)	Connector QUICK-CONNECT TE
current (A)	32A
number of poles (P99)	4p
number of poles (P)	3P+PE
position of earth contact (H)	5 h
voltage (V)	600 up to 690V

Product description	
frequency (HZ)	50 and 60Hz
protection degree (SA)	IP44
colour code 1 (KF1)	black RAL 9005
Colour of appliance	Enclosure black RAL 9005, Hinged lid black RAL 9005, Cable gland grey RAL 7035
connection design (AT)	screwless spring terminals as cage clamp with Kontex-contact
maximum conductor size (LQ)	6,0 qmm
cable entry (KE)	Cable gland
Height	198mm
Width	66mm
Depth	91mm
material of enclosure (GM)	Polyamide
contact	The contact carrier is made of high temperature resistant material, the contacts are brass nickel plated

Logistics data	
Weight/pcs	0.31 kg / Piece
Packaging	Bag
Content amount	1 ST
EAN	4024941947947
Length	91 mm
Width	66 mm

Logistics data	
Height	198 mm
Weight	0.311 kg
Volume	1,189.188 ccm
Packaging	Carton
Content amount	10 ST
EAN	4024941838085
Length	325 mm
Width	217 mm
Height	210 mm
Weight	3.306 kg
Volume	13,588.4 ccm



Ampere	16	16	16	32	32	32
Polzahl	3	4	5	3	4	5
a ø	51,0	58,0	65,0	66,5	66,5	72,0
b	156,0	162,0	168,0	195,0	195,0	198,0
c	72,0	78,0	86,0	89,0	89,0	99,0
d ø	18,0	18,0	21,0	23,0	23,0	27,0
Leiter mm <sup>2</sup> min	1	1	1	2,5	2,5	2,5
Leiter mm <sup>2</sup> max	2,5	2,5	2,5	6	6	6