

# Wall mounting socket outlet - INNOLINQ lead-free, with QUICK-CONNECT



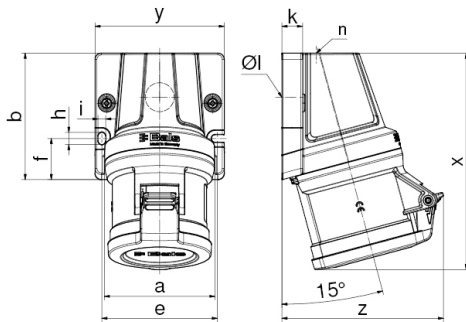
| Product description       |   |
|---------------------------|---|
| BALS-Prd.-Nr              | 110624                                  |
| EAN                       | 4024941924733                           |
| Product category          | Wall mounting socket outlet INNOLINQ QC |
| Current                   | 16A                                     |
| Number of poles           | 5p                                      |
| Arrangement of phases     | 3p+N+PE                                 |
| Position of earth contact | 6 h                                     |
| Voltage                   | 200/346 - 240/415V~                     |

| Product description    |   |
|------------------------|---|
| Frequency              | 50/60Hz   |
| Protection degree      | IP44  |
| Colour code            | red RAL 3000  |
| Colour of appliance    | Hinged lid dark grey RAL 7012, Collar red RAL 3000, Housing top dark grey RAL 7012, Housing bottom dark grey RAL 7012 |
| Connection design      | screwless spring terminals with KONTEX-ULTRA contact  |
| Maximum conductor size | 4,0 qmm   |
| Cable entry            | M32   |
| Height                 | 145mm   |
| Width                  | 94mm  |
| Depth                  | 112mm   |
| Dimension of enclosure | 92x94 mm (HxW)  |
| Material of enclosure  | Polyamide   |
| Contacts               | The contacts are brass, The contact carrier is made of high temperature resistant material                            |

| Additional technical properties |   |
|---------------------------------|---|
|                                 | The cable entry is one at top open and one at bottom closed, This product is without any lead |

| Logistics data |                  |
|----------------|------------------|
| Weight/pcs     | 0.264 kg / Piece |
| Packaging      | Carton           |

| Logistics data |               |
|----------------|---------------|
| Content amount | 10 ST         |
| EAN            | 4024941924740 |
| Length         | 362 mm        |
| Width          | 227 mm        |
| Height         | 204 mm        |
| Weight         | 2.908 kg      |
| Volume         | 14,031.5 ccm  |



| Ampere Polzahl            | 16<br>5 | 32<br>3 | 32<br>4 | 32<br>5 |
|---------------------------|---------|---------|---------|---------|
| a                         | 80,0    | 80,0    | 80,0    | 80,0    |
| b                         | 92,0    | 92,0    | 92,0    | 92,0    |
| e                         | 84,0    | 84,0    | 84,0    | 84,0    |
| f                         | 30,0    | 30,0    | 30,0    | 30,0    |
| h                         | 9,0     | 9,0     | 9,0     | 9,0     |
| i                         | 5,5     | 5,5     | 5,5     | 5,5     |
| k                         | 15,0    | 15,0    | 15,0    | 15,0    |
| ø l                       | 21,0    | 21,0    | 21,0    | 21,0    |
| n                         | M32     | M32     | M32     | M32     |
| x                         | 145,0   | 157,0   | 157,0   | 158,0   |
| y                         | 94,0    | 94,0    | 94,0    | 94,0    |
| z                         | 114,0   | 112,0   | 112,0   | 118,0   |
| Cond. mm <sup>2</sup> min | 1,0     | 2,5     | 2,5     | 2,5     |
| Cond. mm <sup>2</sup> max | 4,0     | 10,0    | 10,0    | 10,0    |

