

## Plug direct-current - for direct current, with Multi-Grip



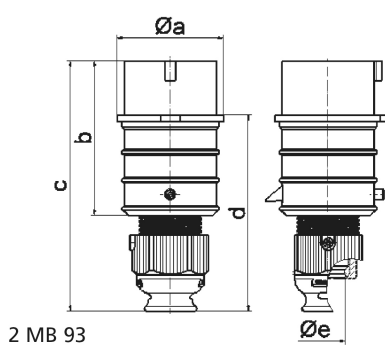
Product description	
BALS-Prd.-Nr	21869
EAN	4024941218696
product category (PG)	QUICK-CONNECT TE plug
current (A)	32A
number of poles (P99)	3p
number of poles (P)	2P+PE
position of earth contact (H)	3 h
voltage (V)	over 50 up to 250V
frequency (HZ)	direct current (DC)

Product description	
protection degree (SA)	IP44
colour code 1 (KF1)	gray RAL 7035
Colour of appliance	Housing cover grey RAL 7035, Cable gland grey RAL 7035, Collar grey RAL 7035
connection design (AT)	screwless spring-clamp technology
maximum conductor size (LQ)	6,0 qmm
cable entry (KE)	Cable gland
Height	180mm
Width	66mm
Depth	79mm
material of enclosure (GM)	Polyamide
contact	The contact carrier is made of high temperature resistant material, the contacts are brass nickel plated

Additional technical properties	
	For cable diameter from 11 up to max. 23,5 mm

Logistics data	
Weight/pcs	0.224 kg / Piece
Packaging	Bag
Content amount	1 ST
EAN	4024941218696
Length	79 mm

Logistics data	
Width	66 mm
Height	180 mm
Weight	0.225 kg
Volume	938.52 ccm
Packaging	Carton
Content amount	10 ST
EAN	4024941822640
Length	258 mm
Width	183 mm
Height	212 mm
Weight	2.392 kg
Volume	8,750 ccm



Ampere	16	16	16	32	32	32
Polzahl	3	4	5	3	4	5
a ø	51,0	57,5	65,0	66,0	66,0	72,0
b	95,0	95,0	97,0	118,0	118,0	117,0
c	145,0	145,0	152,0	178,0	178,0	181,0
d	109,0	109,0	116,0	133,0	133,0	135,5
e ø	18,0	18,0	21,0	23,0	23,0	27,0
Leiter mm² min	1	1	1	2,5	2,5	2,5
Leiter mm² max	2,5	2,5	2,5	6	6	6