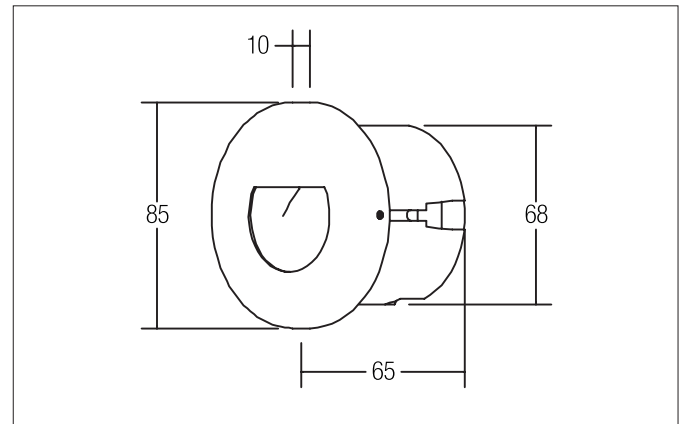
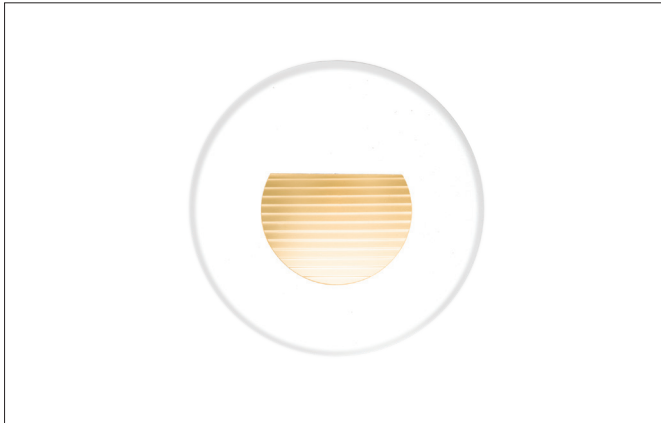


TIBELL-R LED wall recessed light  
Article no. R3928Y

Light.  
For Generations.



#### Tender

LED wall recessed light, Round. Recessed mounting, Wall-mounted Including a converter for connection with the 230-V mains voltage, on/off switchable and cavity wall mounting box Ø DA: 68 mm / installation depth: 65 mm Mounting method: Recessed mounting, Place of installation: Wall-mounted, Material: Stainless steel / Aluminium / Plastic, Degree of protection: according to DIN EN 60529 IP20, Protection class: (EN 61140) I, Voltage: 230V AC 50Hz, Power: 1.2W, Amount of light sources / fittings: 1.0 Qty, Adjustability: Not adjustable, With control gear: Yes, Dimmable: No, Control: on/off.

Article data	
Article no.	R3928Y
GTIN	4250047758655
Series name	TIBELL-R
Short description	LED wall recessed light
Material	Stainless steel / Aluminium / Plastic
Colour	White
Type of surface	Structure
Shape	Round
Outer diameter	85 mm
Built-in diameter	68 mm
Installation depth	65 mm
Height	10 mm
Weight	0.400 kg

TIBELL-R LED wall recessed light  
Article no. R3928Y

Light.  
For Generations.

Lighting technology	
Colour rendering	CRI > 80
Reflector	Matt
Light sharing	Asymmetric

Operating technology of the luminaire	
System output	1.2 W
Voltage type	AC
AC nominal voltage max	230 V
Frequenz max.	50 Hz
Lamp	LED
Protection class	I
Degree of protection	IP20
Dimmable	No
Control	on/off
Bulb change possible	Yes

Mounting technology	
Mounting method	Recessed mounting
Place of installation	Wall-mounted
Adjustability	Not adjustable
Material cover	Without cover

Packing data	
Gross weight	0.43 kg
Length of packaging	95 mm
Packaging width	75 mm
Packaging high	95 mm
Disposal at end of life	This product must not be disposed of with household waste. You are obliged, to dispose of such electrical waste separately. By disposing of electrical waste and other old or defective electronics separately, you support recycling or other forms of re-use. In that way you help to take care and to avoid that harmful substances get into the environment.