

Domestic panel mounting socket outlet, for use in mobile distributor systems - flange 50x50, fixing centers 38x38



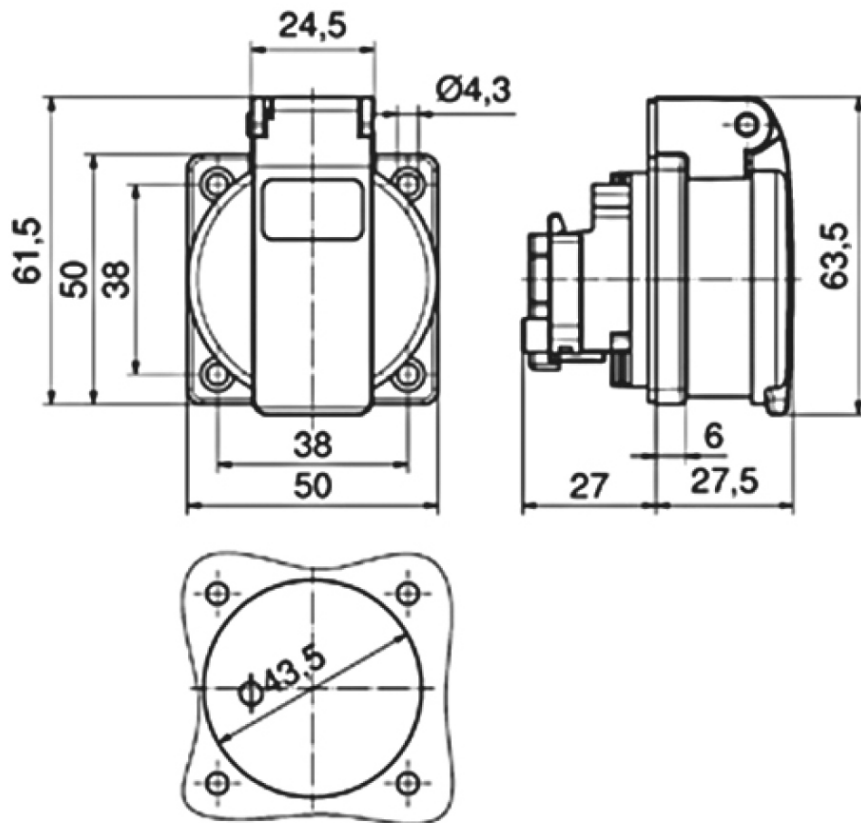
Product description	
BALS-Prd.-Nr	71104
EAN	4024941962193
Product category	Domestic panel mounting socket outlet Quick-Connect screwless push-contact System F German standard
Current	16A
Number of poles	3p
Arrangement of phases	2P+PE
Voltage	250V~
Frequency	AC

Product description	
Protection degree	IP54
Colour code	black RAL 9005
Colour of appliance	Enclosure black RAL 9005, Hinged lid black RAL 9005
Connection design	screwless
Maximum conductor size	4,0 qmm
Cable entry	other
Height	61.5mm
Width	50mm
Depth	54.5mm
Flange size vertical in mm	50mm
Flange size horizontal in mm	50mm
Drill hole dist. vertical mm	38mm
Drill hole dist. horizontal mm	38mm
Material of enclosure	Polyamide
Contacts	The contact carrier is made of polyamide, the contacts are brass nickel plated

Additional technical properties	
	The connection is rear, with german earthing system, For use in mobile distributor systems

Logistics data	
Weight/pcs	0.067 kg / Piece

Logistics data	
Packaging	Bag
Content amount	1 ST
EAN	4024941962193
Length	54.5 mm
Width	50 mm
Height	61.5 mm
Weight	0.068 kg
Volume	167.588 ccm
Packaging	Carton
Content amount	20 ST
EAN	4024941959353
Length	207 mm
Width	162 mm
Height	142 mm
Weight	1.44 kg
Volume	3,750 ccm

**18 MB 104**