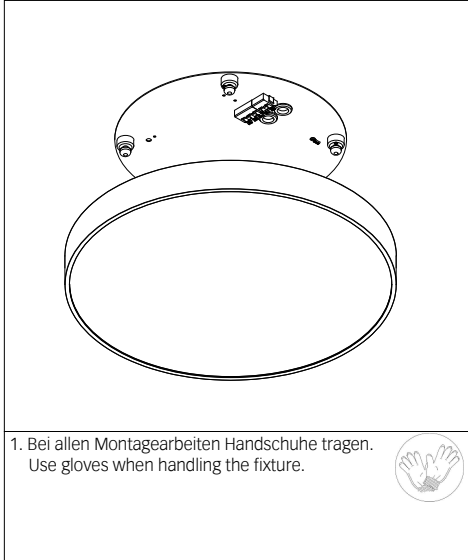


## BASIC NEO X5 | SURFACE

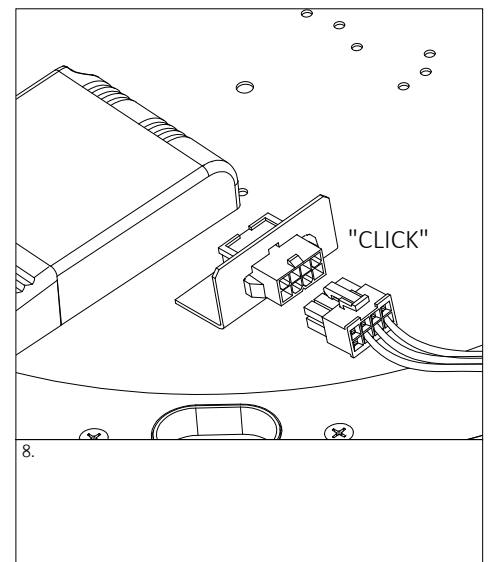
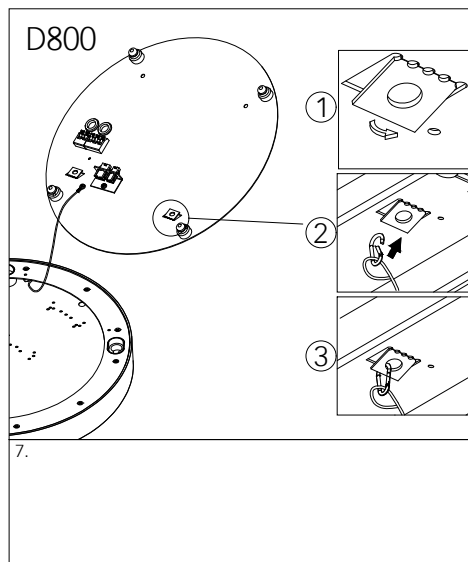
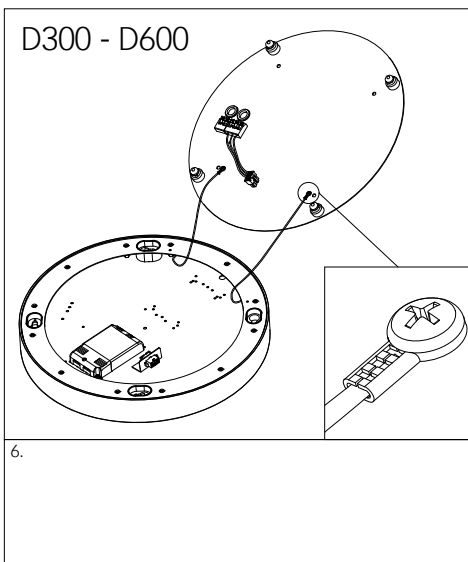
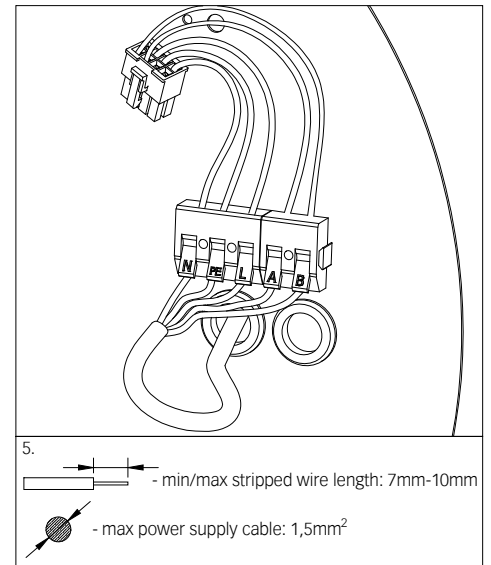
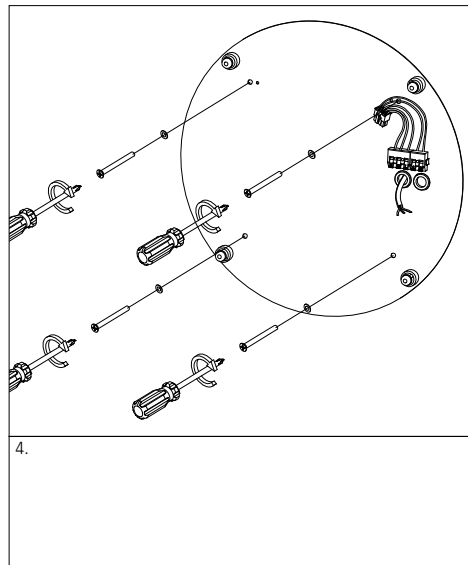
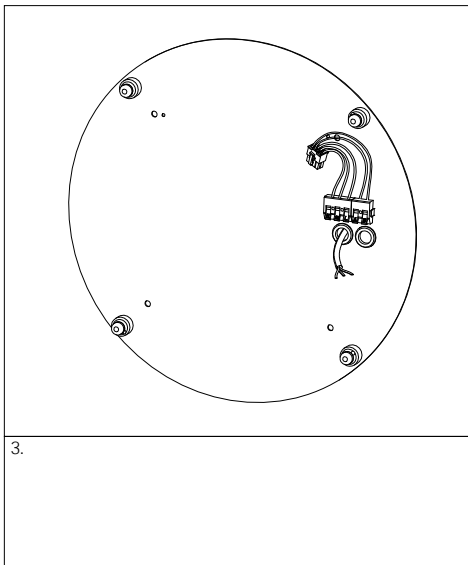
### 1. MONTAGE UND INSTALLATION | MOUNTING AND INSTALLATION:



Important: Bottom view of the ceiling

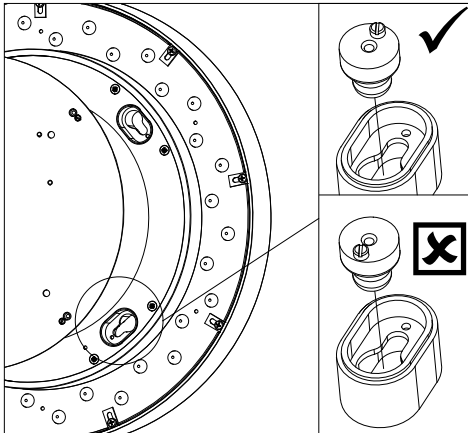
D[mm]	X[mm]	Y[mm]	Z[mm]
400	140	60	35
500	200	100	20
600	250	145	20
800	350	175	-

2. Montageöffnungen.  
 Installation openings.

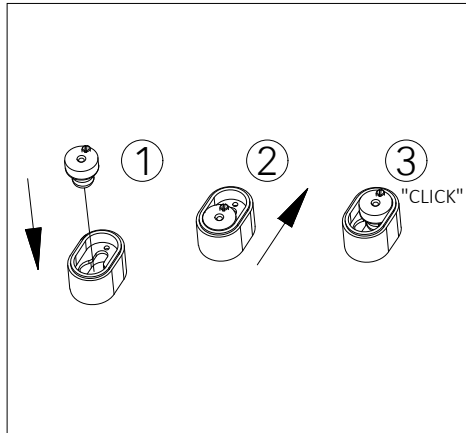


## BASIC NEO X5 | SURFACE

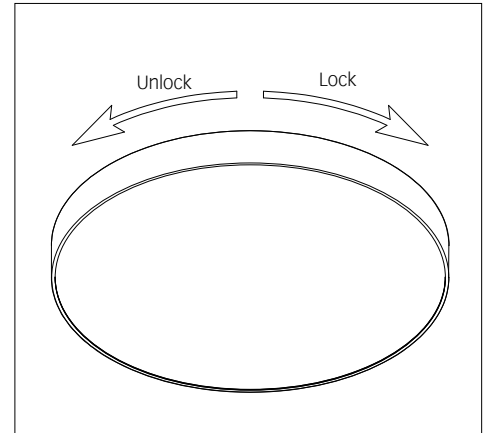
### 1. MONTAGE UND INSTALLATION | MOUNTING AND INSTALLATION:



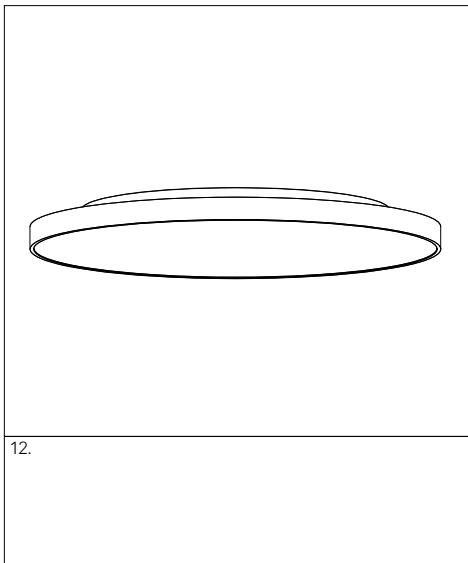
9.



10.



11. Rotation range ~15mm



12.