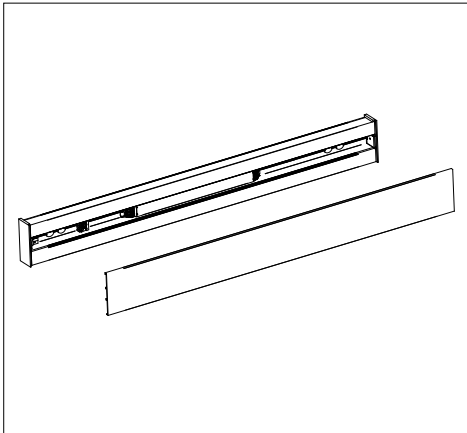
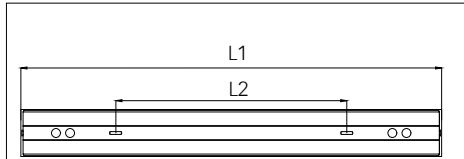


## MATRIC WX SYSTEM 40MM | WALL

### 1. MONTAGE UND INSTALLATION | MOUNTING AND INSTALLATION:

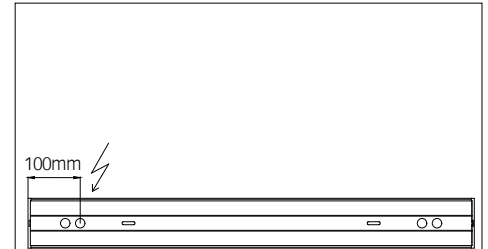


1. Bei allen Montagearbeiten Handschuhe tragen.  
 Use gloves when handling the fixture.

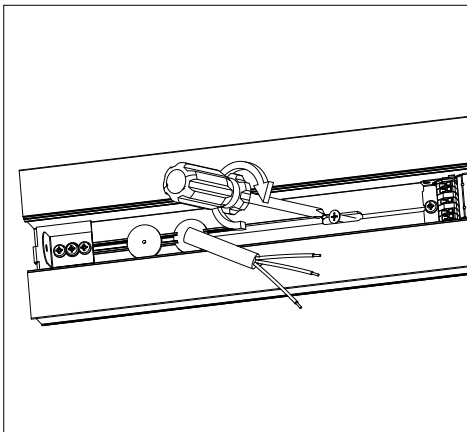


L1[mm]	L2[mm]	L1[mm]	L2[mm]
600	500	1770	1370
895	495	2060	1660
1185	785	2350	1950
1478	1078	2640	2x 1120
		2930	2x 1265

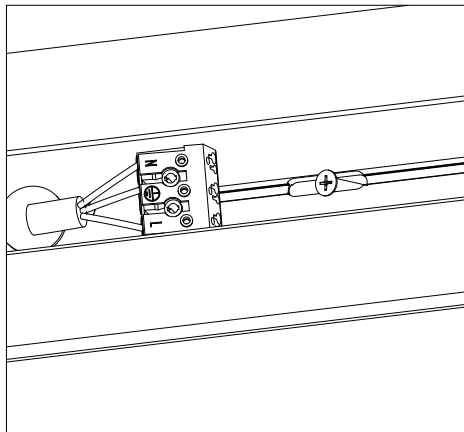
2. Montageöffnungen.  
 Installation openings.

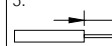
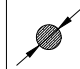


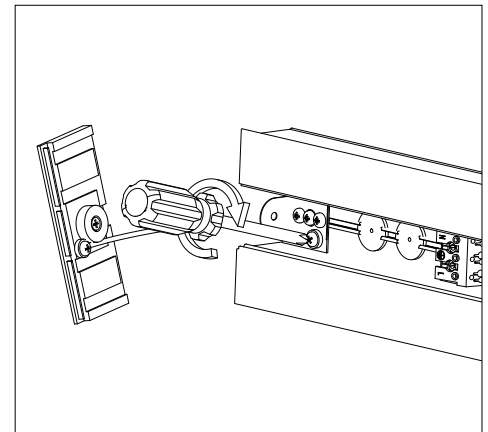
3. Leitungseinführung.  
 Cable entry point.



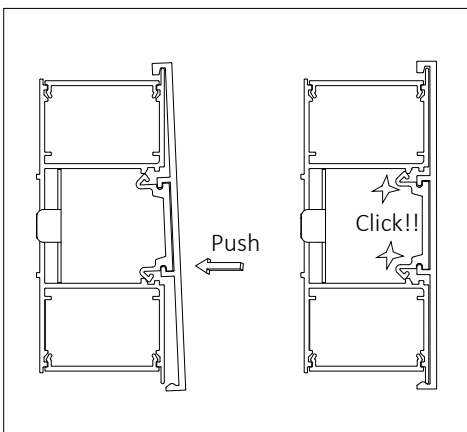
4.



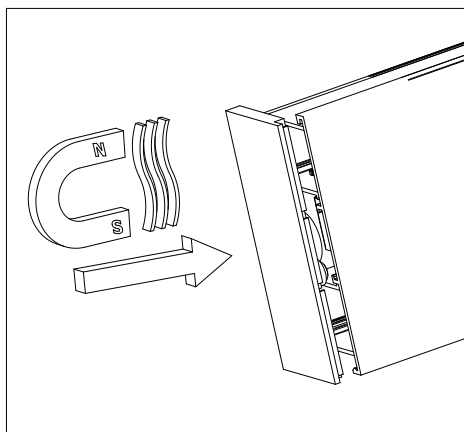
5.  
 - min/max stripped wire length: 7mm-10mm  
 - max power supply cable: 1,5mm<sup>2</sup>



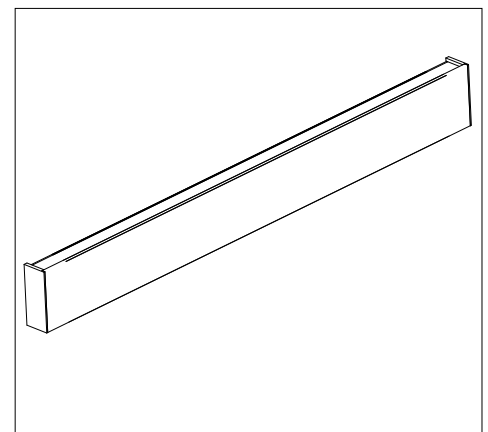
6.



7.

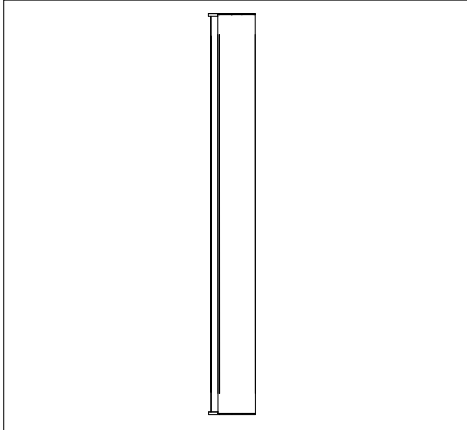


8.

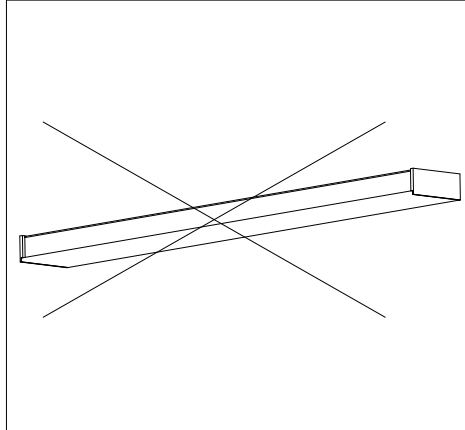


9. Maximum current load allowed for through-wiring is 13A.  
 Non-user replaceable light source.

## MATRIC WX SYSTEM 40MM | WALL



10. Vertical installation on request.



11. **IMPORTANT: Not for ceiling installation!**