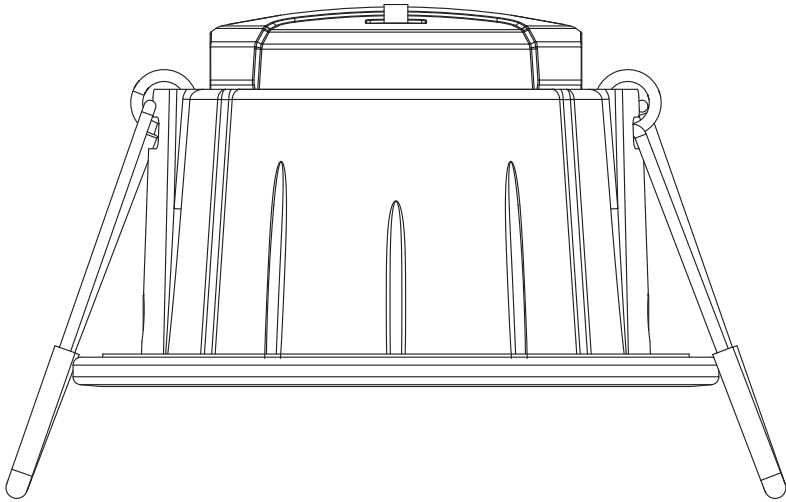



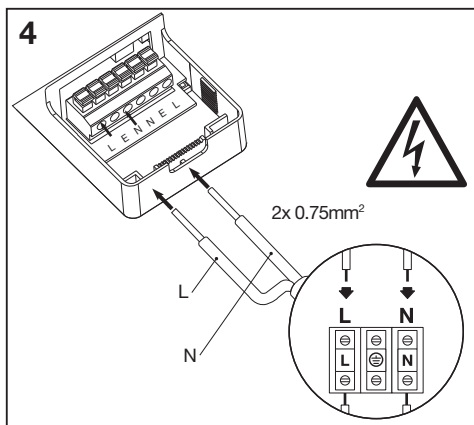
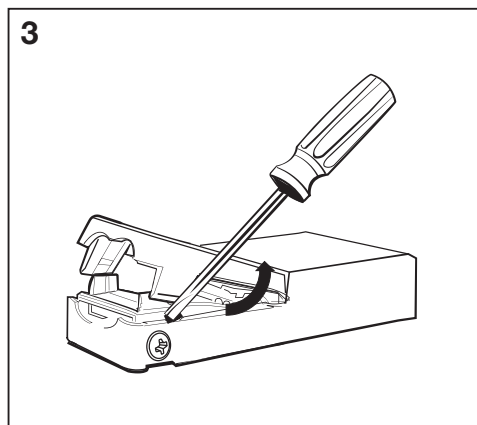
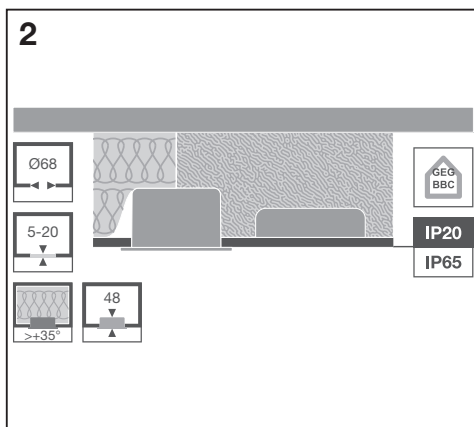
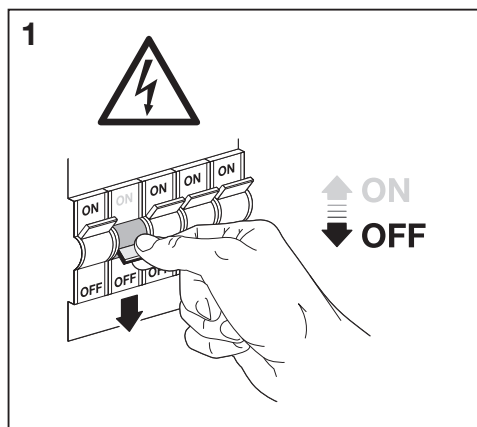
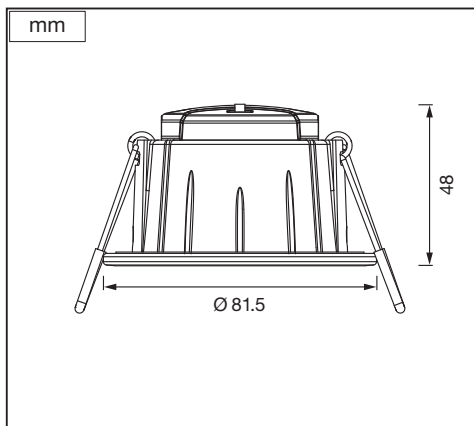
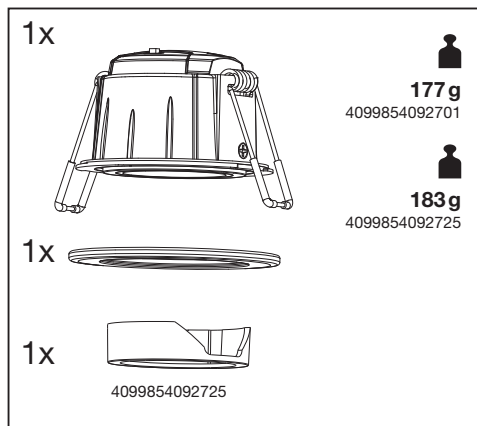
---

**SPOT COVERABLE**

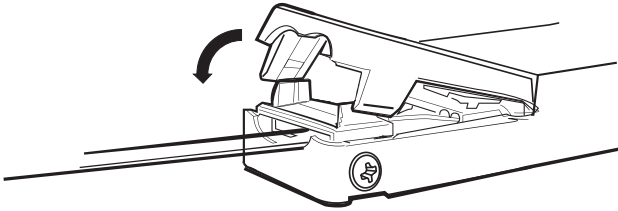

---



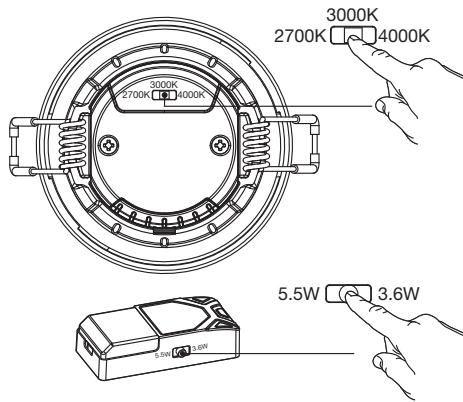
	EAN	W	lm	lm/W	K	Temp <sup>amb</sup> (°C)	V~	mA	Hz	DF	▽(°)	
<b>SP CBO FIX V 5.5W CPS 60DEG IP65 WT</b>	4099854092701	3.6	350	97	2700	-20...+40	220-240	31 @ 3.6W 43 @ 5.5W	50/60	>0.7	60	20000
		5.5	550	100								
		3.6	380	105	3000							
		5.5	580	105								
		3.6	400	111	4000							
		5.5	600	109								
<b>SP CBO ADJ V 5.5W CPS 60DEG IP65 WT</b>	4099854092725	3.6	350	97	2700	-20...+40	220-240	31 @ 3.6W 43 @ 5.5W	50/60	>0.7	60	20000
		5.5	550	100								
		3.6	380	105	3000							
		5.5	580	105								
		3.6	400	111	4000							
		5.5	600	109								



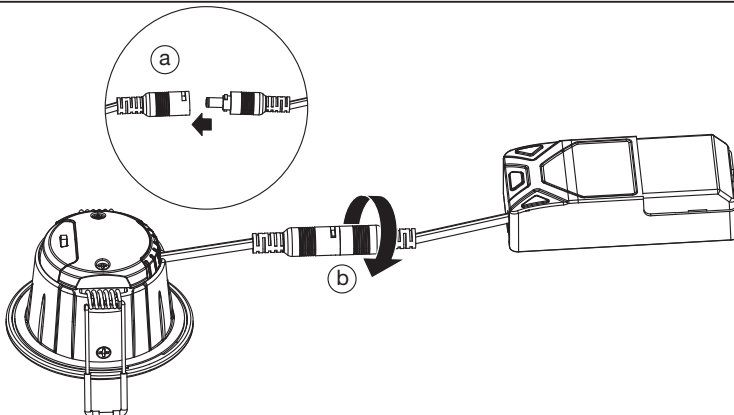
5

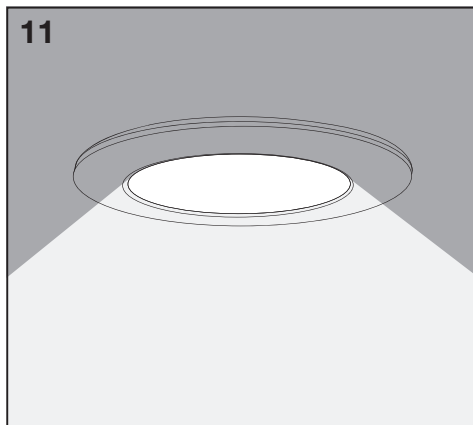
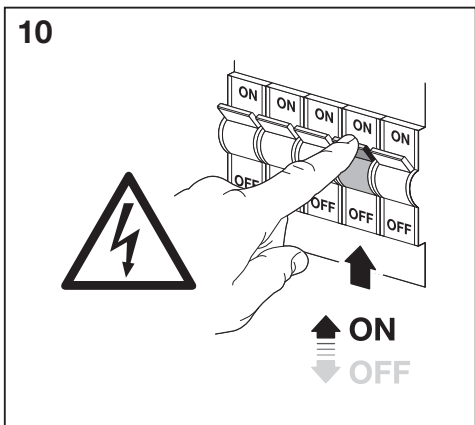
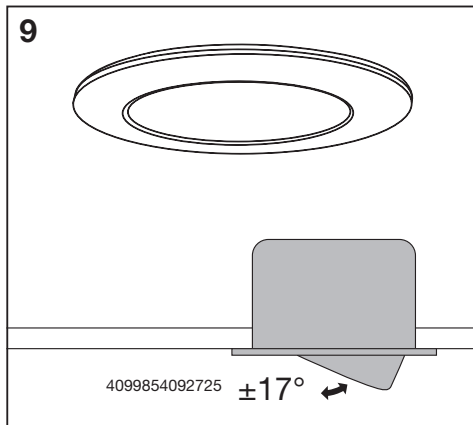
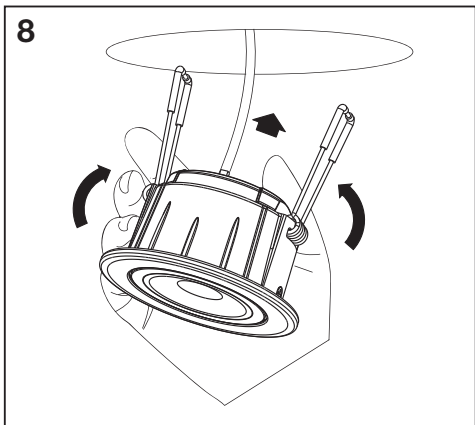


6



7

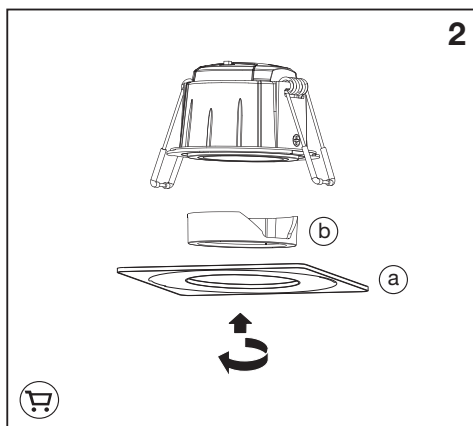
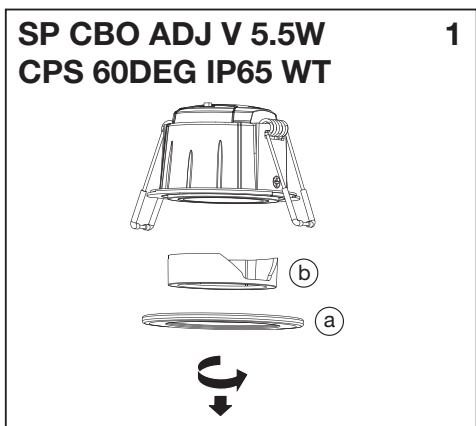
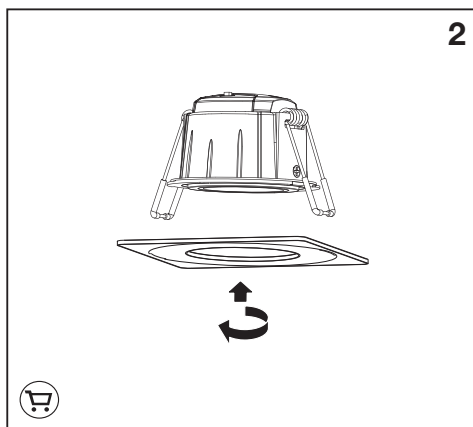
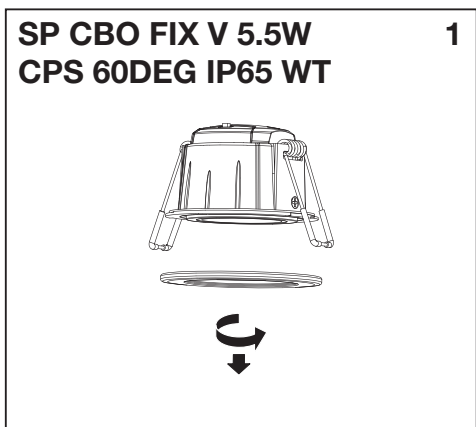




**SPOT COVERABLE**

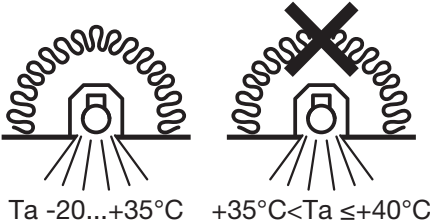


EAN	EAN		Color		Height	Length	Diameter
SPOT COVERABLE FIX  	4099854098406	SP COV RING FIX ROUND BK	BLACK		-	-	81.5
	4099854098437	SP COV RING FIX ROUND BN	BRUSHED NICKEL		-	-	81.5
	4099854099274	SP COV RING FIX SQUARE BN	BRUSHED NICKEL		81.5	81.5	-
	4099854099304	SP COV RING FIX SQUARE WT	WHITE		81.5	81.5	-
	4099854099335	SP COV RING FIX SQUARE BK	BLACK		81.5	81.5	-
SPOT COVERABLE ADJUSTABLE  	4099854097911	SP COV RING ADJ ROUND BK	BLACK		-	-	81.5
	4099854097935	SP COV RING ADJ ROUND BN	BRUSHED NICKEL		-	-	81.5
	4099854097959	SP COV RING ADJ SQUARE BN	BRUSHED NICKEL		81.5	81.5	-
	4099854097973	SP COV RING ADJ SQUARE WT	WHITE		81.5	81.5	-
	4099854097997	SP COV RING ADJ SQUARE BK	BRUSHED NICKEL		81.5	81.5	-





	EAN	n	LED	QR code	ENERGY * X =
SP CBO FIX V 5.5W CPS 60DEG IP65 WT	4099854092701	1	AC50676		E
SP CBO ADJ V 5.5W CPS 60DEG IP65 WT	4099854092725	1	AC50677		E



C10567405  
G11163183  
26.04.2023



LEDVANCE GmbH  
Steinerne Furt 62  
86167 Augsburg, Germany  
[www.ledvance.com](http://www.ledvance.com)