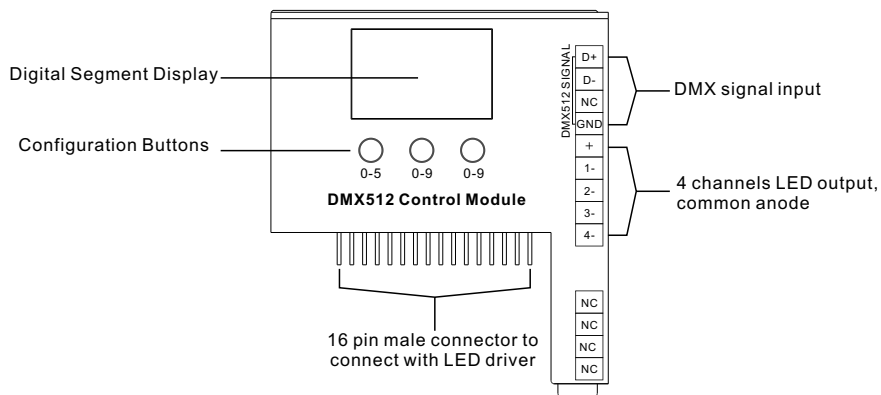




**Important:** Read All Instructions Prior to Installation

**Function introduction**



**Features**

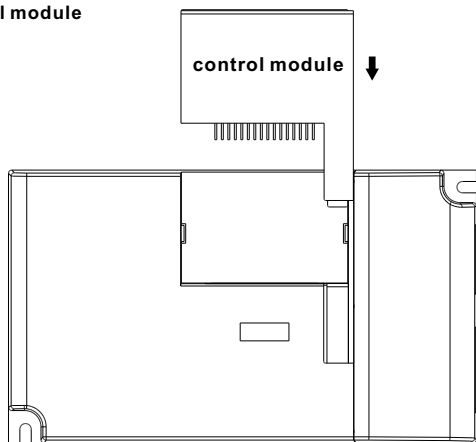
- Works with plug-in control module 4 channels output LED drivers
- Enables to control single color, CCT, RGB/RGBW LED lighting
- Built-in DMX512 dimming interface
- Receives standard DMX512 signal, input protocols: DMX512(2008), DMX512-A
- DMX address can be manually set via buttons and showed on the display
- DMX channels settable
- 200Hz/1500Hz PWM frequency settable
- Linear/Logarithmic dimming curve settable

**Safety & Warnings**

- DO NOT assembly the control module with power applied to the LED driver.
- DO NOT expose the module to moisture.
- DO NOT change the control module within 1 minute after powering off the driver to avoid burning-out.

**Operation**

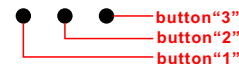
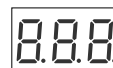
**1.Assemble the control module**



**2.LED Driver Wiring:**

Once the control module is assembled to the LED driver, do wiring of LED driver according to the wiring diagram.

**3. Set DMX Address Manually Via Buttons**

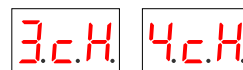


3.1 Press and hold down button “1” until numeric digital display flashes, then release the button.

3.2 Click any of the 3 buttons once to select a digit, click again to change the digit until the desired DMX address appears. Click button “1” to set “hundreds” position, button “2” to set “tens” position and button “3” to set “units” position.

3.3 Then press and hold down any of the 3 buttons until the numeric digital display stops flashing to confirm the setting.

**4. Set DMX Channel Quantity**



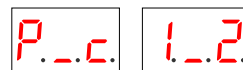
4.1 Press and hold down both button “2” and button “3” until the digital display flashes with “cH”, release the buttons.

4.2 Click button “1” to choose 1cH, 2cH, 3cH, 4cH, which means total 1, 2, 3, 4 DMX channels. Then press and hold down any of the 3 buttons until digital display stops flashing to confirm the setting. Factory default setting is 4 channels output.

**NOTE:**

For example, when we set address as 001.  
 When select 1cH, all 4 channels will be the same address 001.  
 When select 2cH, channel 1&3 will be address 001, channel 2&4 will be address 002.  
 When select 3cH, channel 1 will be address 001, channel 2 will be address 002, channel 3 will be address 003, and channel 4 will be address 001.  
 When select 4cH, channel 1, 2, 3, 4 will be address 001, 002, 003, 004 respectively.

**5. Set Output PWM Frequency**



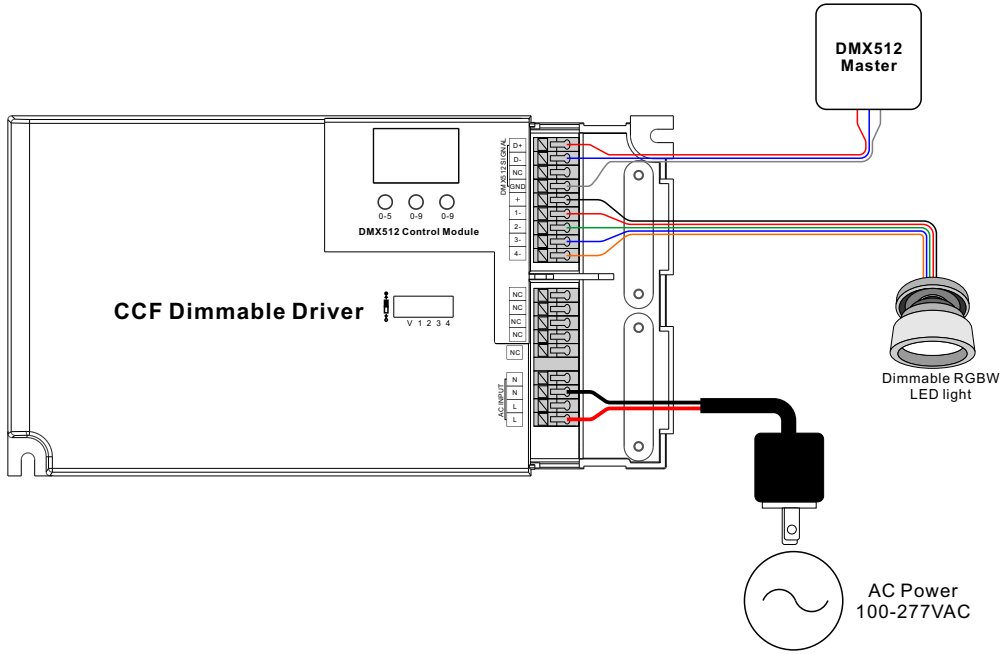
5.1 Press and hold down both button “1” and button “3” until digital display flashes with “P\_c”, release the buttons.

5.2 “P” means PWM frequency, 2 PWM frequencies are available, click button “1” to choose “1” or “2”, “1” stands for 1500Hz and “2” stands for 200Hz.

5.3 “c” means dimming options, 2 options are available, click button “3” to choose “1” or “2”, “1” stands for logarithmic dimming and “2” stands for linear dimming.

5.4 Press and hold down any of the 3 buttons until digital display stops flashing to confirm setting. Factory default setting is 1-2 which means 1500Hz PWM frequency with linear dimming.

**Wiring diagram**  
**1. With Constant Current Driver**



**2. With Constant Voltage Driver**

