

Connector - with screwless terminals



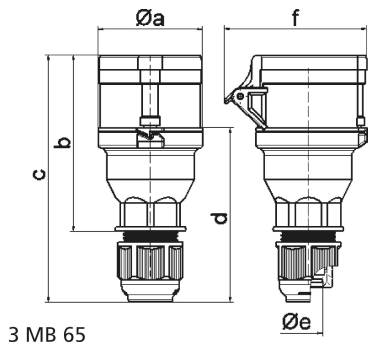
Product description	
BALS-Prd.-Nr	3148
EAN	4024941031486
Product category	Connector QUICK-CONNECT
Current	32A
Number of poles	5p
Arrangement of phases	3p+N+PE
Position of earth contact	6 h
Voltage	200/346 - 240/415V~
Frequency	50/60Hz

Product description	
Protection degree	IP44
Colour code	red RAL 3000
Colour of appliance	Housing cover red RAL 3000, Collar red RAL 3000, Hinged lid red RAL 3000, Cable gland grey RAL 7035
Connection design	screwless spring terminals as cage clamp with Kontex-contact
Maximum conductor size	6,0 qmm
Cable entry	Cable gland
Height	188mm
Width	79mm
Depth	102mm
Material of enclosure	Polyamide
Contacts	The contact carrier is made of polyamide, The contacts are brass

Additional technical properties	
	Multi-Grip cable gland with gasket and integrated strain relief, Screwless housing connection with snap fastening, For cable diameter from 11 up to max. 23,5 mm

Logistics data	
Weight/pcs	0.318 kg / Piece
Packaging	Carton
Content amount	10 ST

Logistics data	
EAN	4024941969819
Length	325 mm
Width	217 mm
Height	210 mm
Weight	3.386 kg
Volume	13,588.4 ccm



3 MB 65

Ampere	16	16	16	32	32	32
Polzahl	3	4	5	3	4	5
a ø	53,0	60,0	66,0	74,5	74,5	74,5
b	100,5	112,5	113,5	133,5	133,5	134,5
c	141,0	153,0	154,0	186,0	186,0	187,0
d	97,5	104,5	105,5	127,5	127,5	128,5
e ø	18,0	18,0	18,0	23,0	23,0	23,0
f	76,0	79,0	86,0	92,0	92,0	97,0
Leiter mm ² min	1	1	1	2,5	2,5	2,5
Leiter mm ² max	2,5	2,5	2,5	6	6	6