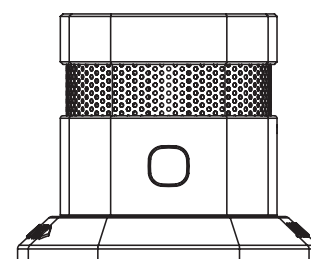
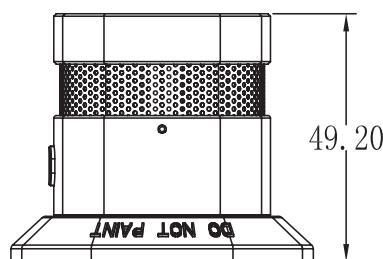
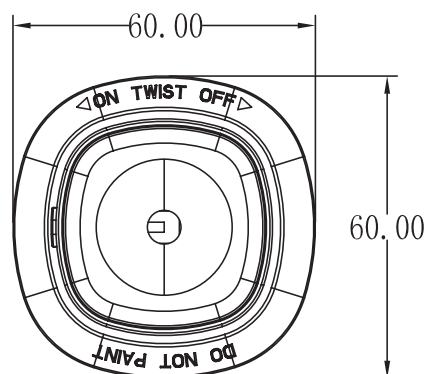


Produktdatenblatt Technical Datasheet



SD600	SD600	SD600	SD600
Produkt Name:	SD600	Product Name:	SD600
Stromversorgung:	DC3V (CR123A lithium batterie), ersetzbar.	Power Supply:	DC3V (CR123A lithium battery), Replaceable.
Statischer Strom:	≤15 uA	Static Current:	≤15 uA
Batterie lebensdauer:	ca 3 Jahre	Battery Lifespan:	3yr
Farbe:	Weiß	Colour:	White
Montage:	Schrauben oder Kleber	Installation:	Screws or 3M Sticker
Alarm Strom:	≤130mA	Alarm Current:	≤130mA
Alarm Indikation:	Rote LED	Alarm Indication:	Red LED
Geräuschpegel:	≤85dB/3m	Sound Level:	≤85dB/3m
Funk Standard:	Zigbee 3.0 GHz HA1.2	Wireless Standard:	Zigbee 3.0 GHz HA1.2
Reichweite des Funks:	≥70m (offenes Feld)	Distance of Ad-Hoc Network:	≥70m (open area)
Funk Chip:	Silicon labs (EM3585)	Wireless Chip:	Silicon labs (EM3585)
Rauchsensibilität:	zwischen 0.08 - 0.25dB/m	Smoke Sensitivity:	Between 0.08 - 0.25dB/m
Umgebungstemperatur:	-10°C ~ +50°C	Working environment:	-10°C ~ +50°C
Luftfeuchtigkeit:	maximum 95%RH	Working humidity:	maximum 95%RH
Lagertemperatur/ Feuchtigkeit:	-20°C - 85°C / 20% – 95 nicht-kondensierent	Storage Temperature / Humidity:	-20°C - 85°C / 20% – 95% non-condensing
Zertifikate:	CE (EN14604), ROHS, KC, FCC	Certificate:	CE (EN14604), ROHS, KC, FCC
Abmessungen:	60 x 60 x 49.2mm	Dimension:	60 x 60 x 49.2mm

Date/Version

03/20- 1.0

Technischer Hinweis

Alle Rechte vorbehalten. Technische Änderungen vorbehalten.
We reserve the right to alter our products without notice.
This also applies to products already on order provided
that such changes do not change the functionary
of the product

Kontakt

Salus Controls GmbH
Dieselstraße 34, Mühlheim am Main
D-63165, Germany
Tel: +49 (0) 6108 825850
info@salus-controls.de