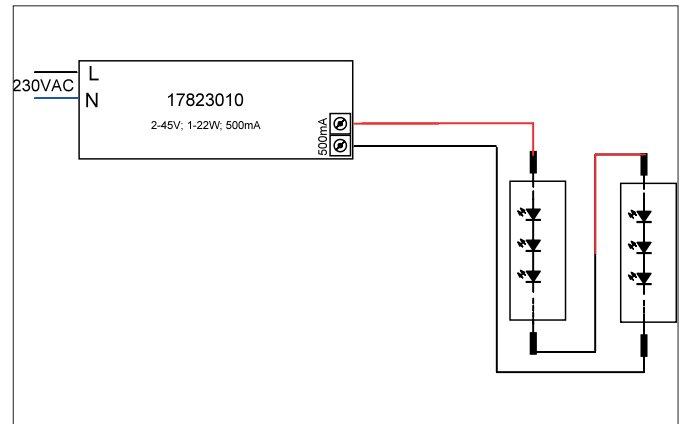


LED converter 500 mA, on/off switchable

Article no. 17823010

Light.
For Generations.**Tender**

LED converter 500 mA, on/off. This converter is equipped with safety devices which protect it against overvoltage, short-circuit as well as thermal and electric overloads. The input and output terminals are suitable for cables with a cross-section of up to 1.5 mm². Material: Plastic, Degree of protection: according to DIN EN 60529 IP20, Protection class: (EN 61140) II, Current: 500 mA, Voltage: 230V AC 50Hz, Power: 22W, Control: on/off.

Article data	
Article no.	17823010
GTIN	4251433924012
Short description	LED converter 500 mA, on/off switchable
Material	Plastic
Length	146 mm
Width	43.5 mm
Height	30 mm
Weight	0.148 kg

LED converter 500 mA, on/off switchable

Article no. 17823010

Light.
For Generations.

Operating technology of driver	
AC nominal voltage min	220 V
AC nominal voltage max	240 V
DC nominal voltage min	170 V
DC nominal voltage max	280 V
Current	500 mA
Protection class	II
Degree of protection	IP20
Starting current	5A 50 μ s
Power min	1 W
Power	22 W
Control	on/off
Environment temperature (ta)	-25 °C bis +40 °C
Measure point (tc)	max. +80 °C
Version	without

Packing data	
Gross weight	0.169 kg
Length of packaging	45 mm
Packaging width	35 mm
Packaging height	190 mm
Disposal at end of life	This product must not be disposed of with household waste. You are obliged, to dispose of such electrical waste separately. By disposing of electrical waste and other old or defective electronics separately, you support recycling or other forms of re-use. In that way you help to take care and to avoid that harmful substances get into the environment.