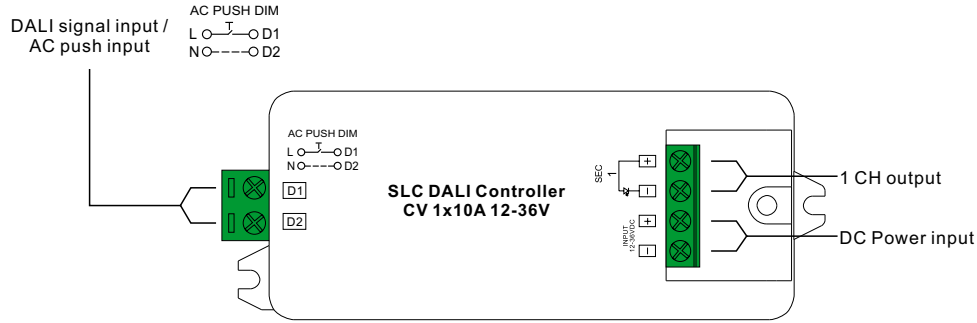


**Important:** Read All Instructions Prior to Installation

**Function introduction**



**Product Data**

Input Voltage	Output Current	Output Power	Remarks	Size(LxWxH)
12-36VDC	1x8A	1x(96-288)W	Constant voltage	95x37x20mm

- Comply to DALI standard protocol IEC 62386-102, IEC 62386-207 and in compliance with DALI products from other international incorporation.
- Push dimmer/DALI dimmer optional
- 1 DALI address input, 1 channel PWM output

**Safety & Warnings**

- DO NOT install with power applied to device.
- DO NOT expose the device to moisture.

**Operation**

Do wiring according to connection diagram.

This product has both DALI dimmer and push dimmer functions while connected with DALI master controllers and AC push switches respectively.

**1.DALI Dimmer**

DALI address is assigned by DALI Master controller automatically, please refer to user manuals of compatible DALI Masters for specific operations.

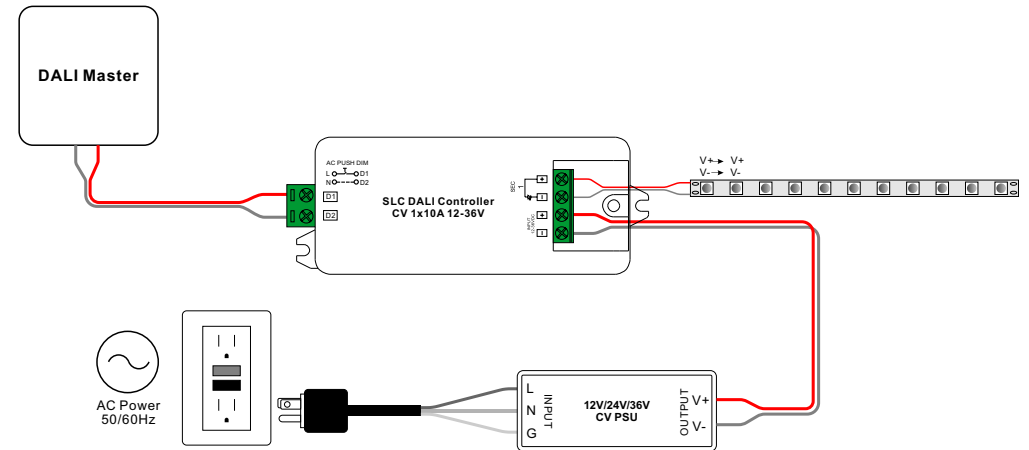
**2.Push Dimmer**

2.1.Click the button to switch ON/OFF

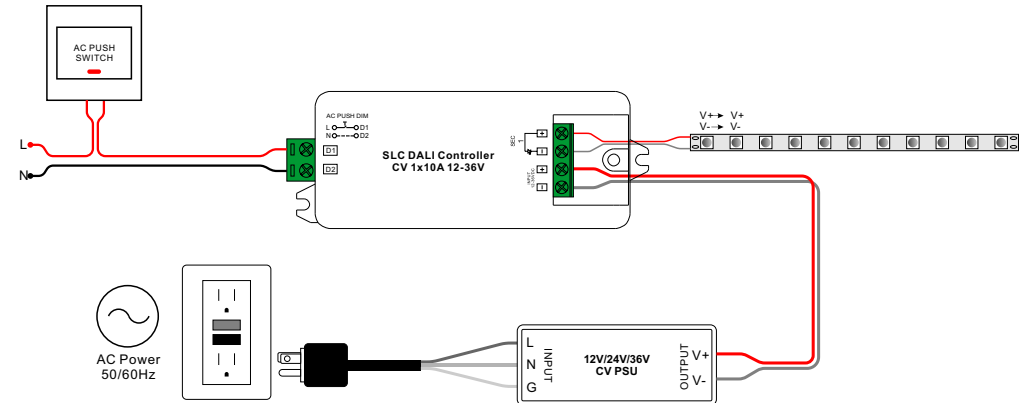
Press and hold down the button to increase or decrease light intensity to desired level and release it, then repeat the operation to adjust light intensity to opposite direction.

**Wiring Diagram**

1. Control by DALI master



2. Control by AC push switch



**Product Dimension**

